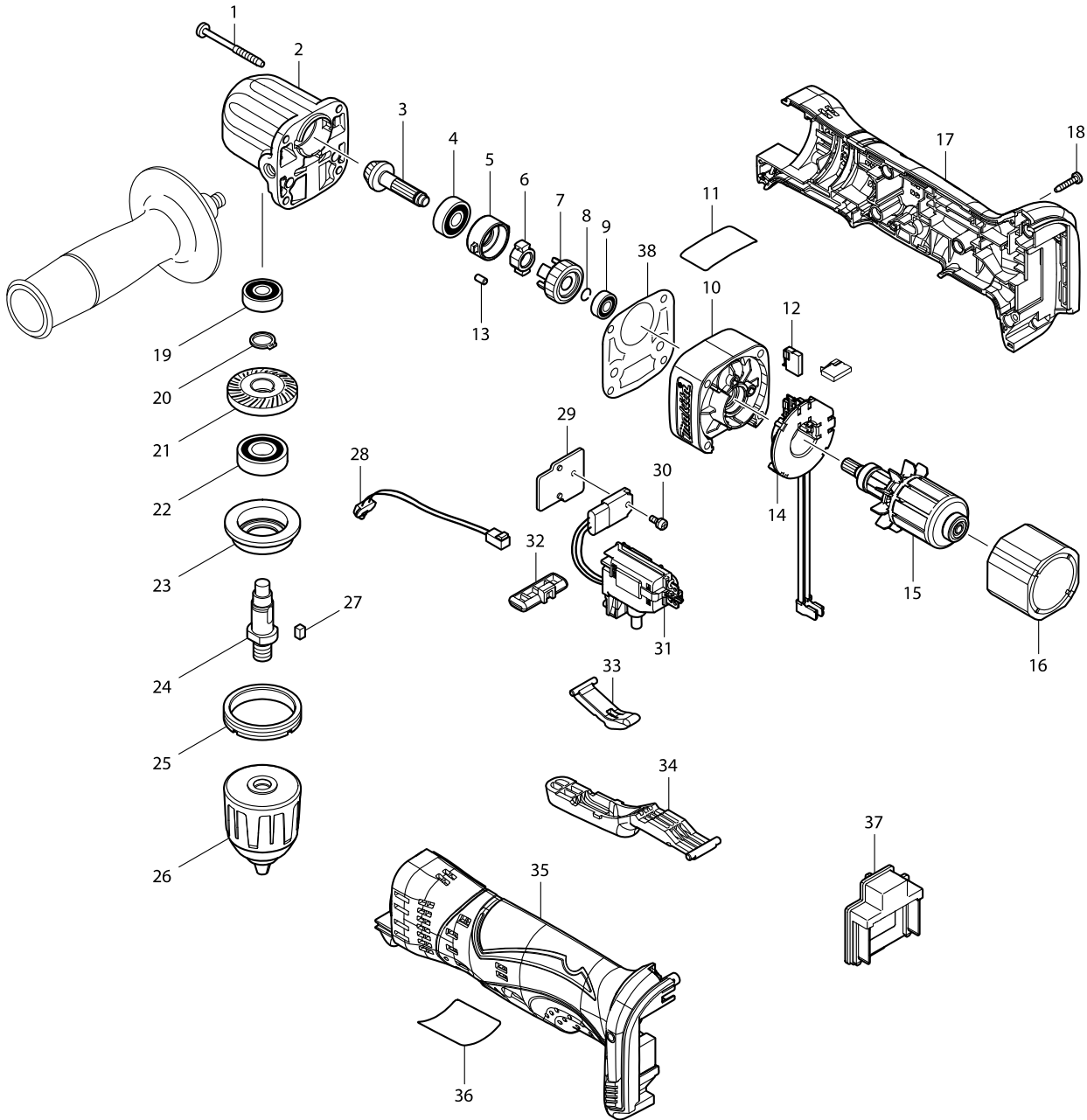


Model No. DDA351 CORDLESS ANGLE DRILL 10MM



Model No. DDA351 CORDLESS ANGLE DRILL 10MM

Item	Parts No.	Description	I/C	Qty	N/O	Opt. 1	Opt. 2	Note
001	266069-6	TAPPING SCREW 4X45		4				
002	317634-5	GEAR HOUSING		1				
003	227538-2	SPIRAL BEVEL GEAR 9		1				
004	210029-0	BALL BEARING 608ZZ		1				
005	324930-4	LOCK RING		1				
006	331647-2	LOCK CAM		1				
007	227221-1	SPUR GEAR 29		1				
008	231956-8	RING SPRING 6		1				
009	210033-9	BALL BEARING 696ZZ		1				
010	450607-6	GEAR HOUSING COVER		1				
012	194427-5	CARBON BRUSH CB-440		1				
013	268100-4	PIN 3.5		2				
014	539202-6	BRUSH HOLDER ASSY		1				
D10		INC. 12						
015	619234-0	ARMATURE		1				
016	638613-3	YOKE UNIT		1				
017	187130-5	HOUSING SET		1				
D10		INC. 35						
018	266130-9	TAPPING SCREW BIND PT 3X16		5				
019	210029-0	BALL BEARING 608ZZ		1				
020	961052-5	RETAINING RING S-12		1				
021	227537-4	SPIRAL BEVEL GEAR 26		1				
022	211131-2	BALL BEARING 6001DDW		1				
023	317633-7	BEARING BOX		1				
024	324329-3	SPINDLE		1				
025	285842-5	BEARING RETAINER 36-43		1				
026	766005-7	KEYLESS DRILL CHUCK 10		1				
027	254201-4	KEY 4		1				
028	631814-2	LED CIRCUIT		1				
029	689098-6	HEAT SINK		1				
030	911006-2	PAN HEAD SCREW M3X8		1				
031	632B90-3	SWITCH UNIT		1				
032	450610-7	F/R CHANGE LEVER		1				
033	450609-2	LINK		1				
034	450608-4	SWITCH LAVER		1				
035	187130-5	HOUSING SET		1				
D10		INC. 17						
036	815P82-3	DDA351 NAME PLATE		1				
037	644808-8	TERMINAL		1				
038	418036-9	GASKET		1				
A01	153489-2	GRIP 36 COMPLETE		1				
A02C	***DC18RC	DC18RC FAST CHARGER		1				
A03C	194204-5	BATTERY BL1830 SET		2	*			
A03-1C	194204-5	BATTERY BL1830 SET	O	2				
A04C	450128-8	BATTERY COVER		1				
A05C	821550-0	CONNECTOR PLASTIC CASE (TYPE2)		1				
C10	453974-8	LATCH		4				
A05D	821550-0	CONNECTOR PLASTIC CASE (TYPE2)		1				

