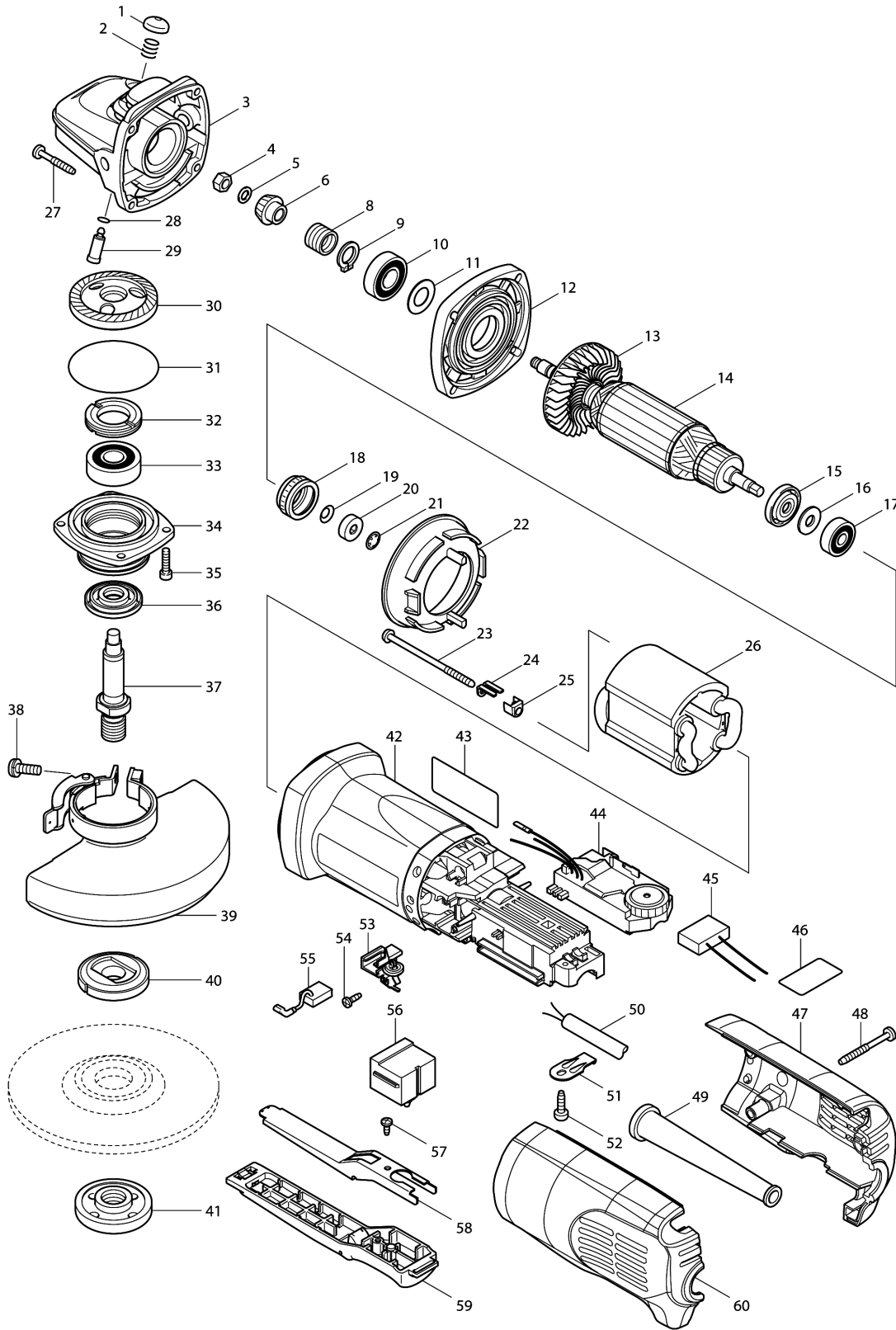


Model No.9565PCV 125MM ANGLE GRINDER



Model No.9565PCV 125MM ANGLE GRINDER

Item	Parts No.	Description	I/C	Qty	New/Old	Opt. 1	Opt. 2	Note
001	418067-8	PIN CAP		1				
002	233072-2	COMPRESSION SPRING 8		1				
003	153488-4	GEAR HOUSING COMPLETE		1				
004	931303-0	HEX. NUT M6		1				
005	253077-6	FLAT WASHER 6		1				
006	226794-1	SPIRAL BEVEL GEAR 11		1	*			
006-1	227513-8	SPIRAL BEVEL GEAR 11	S	1				
008	233901-9	LOCK SPRING 12		1				
009	961052-5	RETAINING RING S-12		1				
010	210105-0	BALL BEARING 6001LLU		1				
011	253084-9	FLAT WASHER 12		1				
012	317359-1	GEAR HOUSING COVER		1				
013	240033-5	FAN 57		1				
014	515228-2	ARMATURE ASS'Y 220-240V		1				
D10		INC. 13,15-17						
015	681656-4	INSULATION WASHER		1				
016	253823-7	FLAT WASHER 7		1				
017	210027-4	BALL BEARING 627DDW		1				
018	421738-8	LABYRINTH RUBBER RING 22		1				
019	267756-0	WAVE WASHER 6		1				
020	688117-5	MAGNET SLEEVE		1				
021	259039-2	SELF LOCK 6		1				
022	413076-2	BAFFLE PLATE		1				
023	266258-3	TAPPING SCREW 4X70		2				
024	344871-8	RETAINER		2				
025	417237-6	INSULATION COVER		2				
026	626503-2	FIELD 220-240V		1	*			
026-1	626598-5	FIELD 220-240V	<	1				
027	266257-5	TAPPING SCREW 4X28		4				
028	213048-5	O RING 6		1				
029	256459-1	PIN		1				
030	226795-9	SPIRAL BEVEL GEAR 38		1	*			
030-1	227514-6	SPIRAL BEVEL GEAR 38	S	1				
031	213673-2	O RING 52		1				
032	285841-7	BEARING RETAINER		1				
033	211129-9	BALL BEARING 6201DDW		1				
034	317570-5	BEARING BOX		1	*			
034-1	318302-3	BEARING BOX	<	1	*			
034-2	318334-0	BEARING BOX	S	1				
035	265490-6	HEX. SOCKET HEAD BOLT M4X16		4				
036	415300-9	LABYRINTH RING		1				
037	324035-0	SPINDLE		1				

Please order the parts with part number.

Print Date 25/3/2020

Model No.9565PCV 125MM ANGLE GRINDER

Item	Parts No.	Description	I/C	Qty	New/Old	Opt. 1	Opt. 2	Note
038	251391-4	PAN HEAD SCREW M5X16		1	*			
038-1	265180-1	PAN HEAD SCREW M5X16	S	1				
039	135108-2	TOOLLESS WHEEL COVER 125 ASS'Y		1	*			
D10		INC. 38			*			
039-1	135242-8	TOOLLESS WHEEL COVER 125 ASS'Y	S	1	*			
D10		INC. 38			*			
039-2	122895-2	TOOLLESS WHEEL COVER 125K ASSY	<	1	*			
C10	213009-5	O RING 4		1	*			
D10		INC. 38			*			
039-3	123145-8	TOOLLESS WHEELCOVER 125AK ASSY	<	1				
C10	213009-5	O RING 4		1				
D10		INC. 38						
040	224415-9	INNER FLANGE 42		1				
041	224554-5	LOCK NUT 14-45		1				
042	450146-6	MOTOR HOUSING		1	*			
042-1	455358-6	MOTOR HOUSING	O	1				
043	864146-4	9565PCV NAME PLATE		1	*			
043-1	853S19-0	9565PCV NAME PLATE	<	1				
044	631789-5	CONTROLLER		1				
045	645238-6	NOISE SUPPRESSOR		1				
046	816902-8	INDICATION LABEL		1	*			
046-1	816504-0	OPERATIONAL INDICATION LABEL	X	1				
047	188365-1	REAR COVER SET		1				
D10		INC. 60						
048	266048-4	TAPPING SCREW 4X40		3				
049	682559-5	CORD GUARD 8		1				
050	665394-6	POWER SUPPLY CORD 1.0-2-2.5		1				
051	687169-3	STRAIN RELIEF		1				
052	266192-7	TAPPING SCREW 4X14		1				
053	643760-7	BRUSH HOLDER		2				
054	266256-7	TAPPING SCREW PT3X10		4				
055	191978-9	A.C. CARBON BRUSH CB-318		1				
056	650579-7	SWITCH 1246.3223		1				
057	265954-0	TAPPING SCREW BIND PT3X8		1				
058	345504-8	PLATE		1				
059	154584-1	SWITCH LEVER B COMPLETE		1				
060	188365-1	REAR COVER SET		1				
D10		INC. 47						
061	819356-8	CLEAR LABEL		1	*			
061-1	805W66-1	CLEAR LABEL	O	1	*			

Please order the parts with part number.

Print Date 25/3/2020

Model No.9565PCV 125MM ANGLE GRINDER

Item	Parts No.	Description	I/C	Qty	New/Old	Opt. 1	Opt. 2	Note
A01	162258-0	VIBRATION PROOF GRIP		1				
A02	D-18465	GRINDING WHEEL 125X6 A24R		1				
A03	782423-1	LOCK NUT WRENCH 35		1				

Please order the parts with part number.

Print Date 25/3/2020