

HIKOKI

SCREW DRIVER

Item No.	Code No.	Description	No. Used	Remarks
1	876031	O-RING (S-16)	1	
2	323487	LOCATOR ASS'Y	1	INCLUD.3
3	323488	CLICK SPRING	1	
4	971468	FRINGER (A)	1	
5	317662	O-RING (F)	1	
6A	323494	PROTECT COVER (B)	1	
7	321057	TAPPING SCREW D4X25 (BLACK)	3	
8	323498	GEAR COVER ASS'Y (B)	1	INCLUD.5,15
9	872573	SET RING	1	
10	959148	STEEL BALL D3.175 (10 PCS.)	2	
11	317664	SOCKET (B) ASS'Y	1	INCLUD.9,10
12	306024	SPRING	1	
13	307339	GEAR ASS'Y	1	INCLUD.14
14	307340	GEAR SHAFT	1	
15	608VVM	BALL BEARING 608VVC2PS2L	1	
16	307338	SECOND PINION ASS'Y	1	INCLUD.17
17	307337	FIRST GEAR	1	
18	323497	WASHER	1	
19	608VVM	BALL BEARING 608VVC2PS2L	2	
20	933545	WASHER (A)	1	
21	323556	SLOTTED HD. SCREW (SEAL LOCK) M4X8	2	
22	323557	FELT (A)	1	
23	323493	INNER COVER ASS'Y (A)	1	INCLUD.19-22
23A	323493	INNER COVER ASS'Y (A)	1	INCLUD.19-21
*24	360674	ARMATURE (D) 110V	1	
*24	360675E	ARMATURE (D) 220V-230V	1	
*24	360675F	ARMATURE (D) 240V	1	
*24	360675U	ARMATURE ASS'Y (D) 120V	1	INCLUD.28
25	323472	FAN GUIDE	1	
26	961672	HEX. HD. TAPPING SCREW D4X50	2	
*27	340599C	STATOR 110V-120V	1	
*27	340599E	STATOR 220V-240V	1	
28	608VVM	BALL BEARING 608VVC2PS2L	1	
29		NAME PLATE	1	
30	323471	HOOK	1	
32	323512	BRUSH HOLDER (A)	2	
33	999091	CARBON BRUSH (AUTO STOP TYPE) (1 PAIR)	2	
34	323566	CHOKE COIL (W/INTERNAL WIRE) BROWN	1	
*34	323567	INTERNAL WIRE (BROWN)	1	FOR USA,CAN,MEX
35	323479	SWITCH (1P PILLAR TYPE) W/LOCK	1	
36	323568	CHOKE COIL (W/INTERNAL WIRE) BLUE	1	
*36	323569	INTERNAL WIRE (BLUE)	1	FOR USA,CAN,MEX
37C	326671	HOUSING	1	
37C	326671M	HOUSING	1	FOR USA,CAN,MEX
38	953327	CORD ARMOR D8.8	1	
*39	323559	CORD (LENGTH 7.5M)	1	(CORD ARMOR D8.8)
*39	323560	CORD (LENGTH 7.5M)	1	(CORD ARMOR D8.8) FOR GBR (230V)
*39	323562	CORD (LENGTH 7.5M)	1	(CORD ARMOR D8.8) FOR GBR (110V)
*39	323563	CORD (LENGTH 7.5M)	1	(CORD ARMOR D8.8) FOR SUI
*39	323561	CORD (LENGTH 7.5M)	1	(CORD ARMOR D8.8) FOR AUS
*39	320130	CORD (LENGTH 7.5M)	1	(CORD ARMOR D8.8) FOR USA,CAN,MEX
40	937631	CORD CLIP	1	
41	984750	TAPPING SCREW (W/FLANGE) D4X16	2	

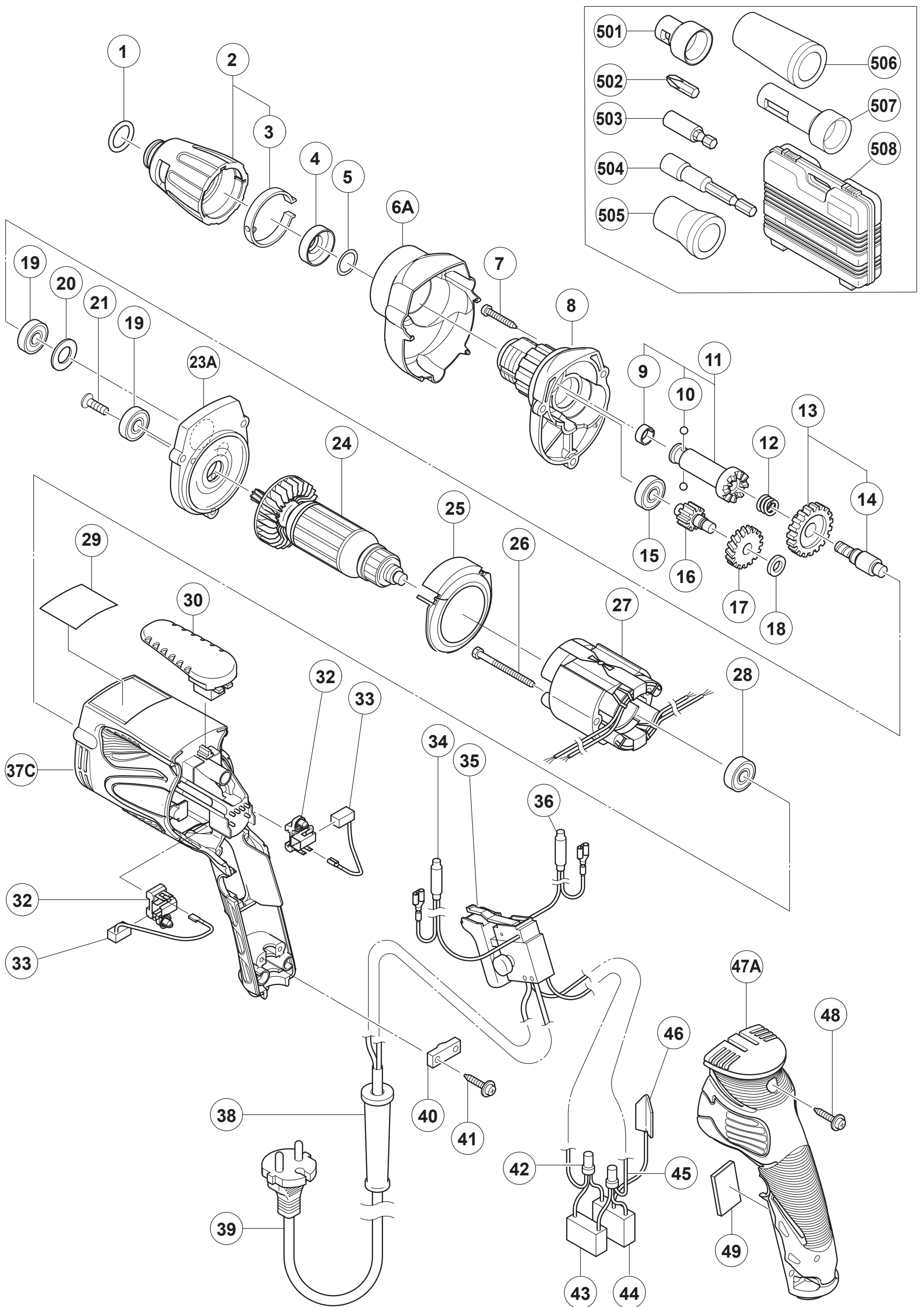
* ALTERNATIVE PARTS

HIKOKI

SCREW DRIVER

Item No.	Code No.	Description	No. Used	Remarks
42	959140	CONNECTOR 50091 (10 PCS.)	2	
43	930039	NOISE SUPPRESSOR	1	
44	994273	NOISE SUPPRESSOR	1	
45	317667	INTERNAL WIRE	2	
46	992635	EARTH TERMINAL	1	
47A	326672	HANDLE COVER	1	
48	301653	TAPPING SCREW (W/FLANGE) D4X20 (BLACK)	3	
49	329770	SPONGE	1	
		STANDARD ACCESSORIES		
501	323352	SUB STOPPER (G)	1	EXCEPT FOR GBR, AUS
502	971511Z	+ DRIVER BIT (A) NO.2 25L	1	FOR FRA, BEL, FRG, AUT, SUI
*503	317674	MAGNETIC BIT HOLDER ASS'Y (41L)	1	INCLUD.502 FOR FRA, BEL, AUT, SUI
*503	982554Z	MAGNETIC BIT HOLDER (75L)	1	FOR FRG
*504	985322	MAGNETIC HEX. SOCKET 5/16"X65L	1	FOR GBR, AUS, USA, CAN, MEX
*504	985321	MAGNETIC HEX. SOCKET 10MMX65L	1	FOR HOL, ESP
*505	317671	SUB STOPPER (B) FOR H5/16 HEX. SOCKET	1	FOR GBR, AUS, USA, CAN, MEX
*505	317670	SUB STOPPER (B) FOR H3/8, H10 HEX. SOCKET	1	FOR HOL, ESP
506	317899	SUB STOPPER (D) FOR HEX. SOCKET	1	FOR FRA
507	323351	SUB STOPPER (F)	1	FOR FRG
508	310904	CASE	1	FOR ESP
		OPTIONAL ACCESSORIES		
601	317827	SUB STOPPER (B) H1/4 HEX. SOCKET	1	
602	985326	NON-MAGNETIC HEX. SOCKET 3/8" 65L	1	
603	985327	NON-MAGNETIC HEX. SOCKET 5/16" 65L	1	
604	985328	NON-MAGNETIC HEX. SOCKET 1/4" 65L	1	
605	985329	NON-MAGNETIC HEX. SOCKET 10MM 65L	1	
606	985330	MAGNETIC HEX. SOCKET 3/8"X65L	1	
607	985332	MAGNETIC HEX. SOCKET 1/4"X65L	1	
608	982563Z	NON-MAGNETIC BIT HOLDER	1	
609	982554Z	MAGNETIC BIT HOLDER (75L)	1	
610	985333	+ DRIVER BIT NO.1 25L	1	
611	971511Z	+ DRIVER BIT (A) NO.2 25L	1	
612	971512Z	+ DRIVER BIT (A) NO.3 25L	1	
613	985334	+ DRIVER BIT NO.1 25L W/STEPPED ROD	1	
614	985335	+ DRIVER BIT NO.2 25L W/STEPPED ROD	1	
615	985336	- DRIVER BIT 4MMX25	1	
616	985337	- DRIVER BIT 5MMX25	1	
617	985338	- DRIVER BIT 6MMX25	1	
618	985339	- DRIVER BIT 8MMX25	1	
619	985340	- DRIVER BIT 4MMX25 (W/STEPPED ROD)	1	
620	985341	- DRIVER BIT 5MMX25 (W/STEPPED ROD)	1	
621	985342	HEX. BIT 4MMX25L	1	
622	985343	HEX. BIT 5MMX25L	1	
623	985344	HEX. BIT 6MMX25L	1	
624	310904	CASE	1	

* ALTERNATIVE PARTS



MODEL
W8VB2