

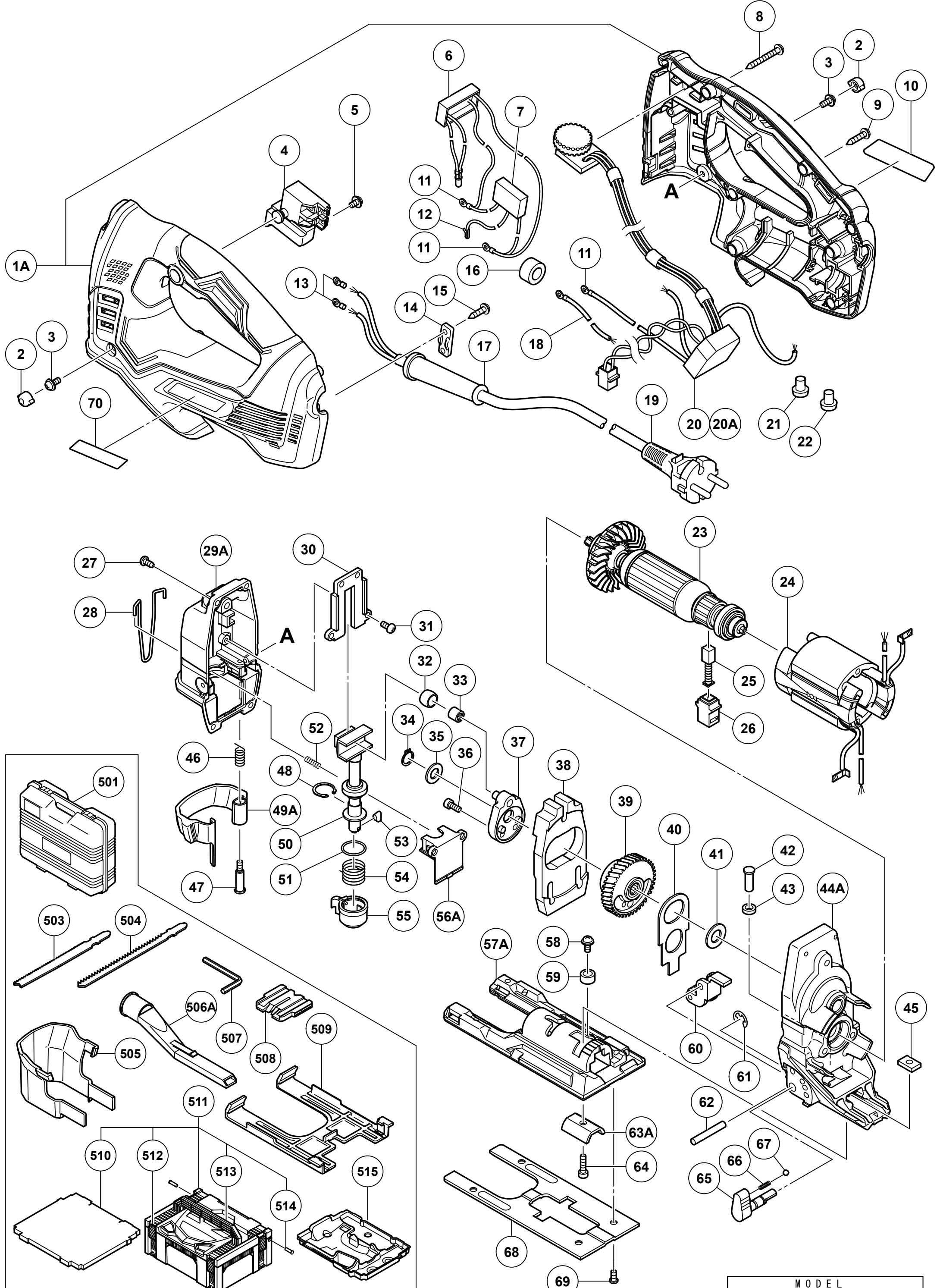
# HIKOKI

## JIG SAW CJ160V

Item No.	Code No.	Description	No. Used	Remarks
1A	338998	HOUSING SET	1	
2	339294	RUBBER COVER	2	
3	321577	SEAL LOCK SCREW (W/WASHER) M4X10	2	
4	339021	TRIGGER SWITCH	1	
5	305499	MACHINE SCREW (W/WASHER) M3.5X6	4	
*6	338988	LED (A) 220V-240V	1	
7	994273	NOISE SUPPRESSOR	1	FOR EUROPE , AUS , GBR , SAF , RUS , CHN
8	306664	TAPPING SCREW (W/FLANGE) D4X40 (BLACK)	1	
9	301653	TAPPING SCREW (W/FLANGE) D4X20 (BLACK)	7	
10		NAME PLATE	1	
11	960356	TERMINAL (A) M3.5 (10 PCS.)	3	
*12	302488	EARTH TERMINAL	1	FOR EUROPE , AUS , GBR , SAF , RUS , CHN
13	980063	TERMINAL	2	
14	960266	CORD CLIP	1	
15	984750	TAPPING SCREW (W/FLANGE) D4X16	2	
*16	334379	FERRITE CORE	1	(FOR CORD) FOR EUROPE , AUS , GBR (230V) , SAF , RUS , CHN
*17	953327	CORD ARMOR D8.8	1	
*18	339295	INTERNAL WIRE L230	1	
*19	500247Z	CORD	1	(CORD ARMOR D8.8)
*20A	375949	CONTROLLER 220V-240V	1	
21	959140	CONNECTOR 50091 (10 PCS.)	1	
22	959141	CONNECTOR 50092 (10 PCS.)	1	
*23	361014E	ARMATURE SET 220V-240V	1	
*24	340915E	STATOR 220V-240V	1	
25	999041	CARBON BRUSH (1 PAIR)	2	
26	955203	BRUSH HOLDER	2	
27	949217	MACHINE SCREW M4X12 (10 PCS.)	4	
28	339016	GUARD BAR	1	
29A	375860	UPPER COVER	1	
30	339009	GUIDE PLATE	1	
31	326573	SEAL LOCK SCREW M4X10	4	
32	339007	CONNECTING PIECE	1	
33	940917	NEEDLE BEARING	1	
34	940079	RETAINING RING FOR D8 SHAFT	1	
35	963351	WASHER (B)	1	
36	983162	SEAL LOCK HEX. SOCKET HD. BOLT M4X12	2	
37	339285	WEIGHT HOLDER	1	
38	339000	BALANCE WEIGHT	1	
39	338993	GEAR	1	
40	338999	ORBITAL CAM	1	
41	957540	WASHER (A)	1	
42	339019	ORBITAL PIN	1	
43	305740	FELT	1	
44A	377655	GEAR COVER	1	
45	332425	PLATE NUT	1	
46	339015	LEVER SPRING	1	
47	339014	LEVER BOLT	1	
48	339296	RETAINING RING D18	1	
49A	375856	LEVER	1	
50	339002	PLUNGER (B)	1	
51	311814	O-RING (P-15)	1	
52	339001	SPRING	1	

\* ALTERNATIVE PARTS





MODEL  
CJ160V