

HIKOKI

JIG SAW CJ160VA

| Item No. | Code No. | Description | No. Used | Remarks |
|----------|----------|--|----------|--------------------|
| 1A | 339022 | HOUSING SET | 1 | |
| 2 | 339294 | RUBBER COVER | 2 | |
| 3 | 321577 | SEAL LOCK SCREW (W/WASHER) M4X10 | 2 | |
| 4 | 339024 | SLIDE KNOB | 1 | |
| *5 | 361014E | ARMATURE SET 220V-240V | 1 | |
| 6 | 955203 | BRUSH HOLDER | 2 | |
| 7 | 999041 | CARBON BRUSH (1 PAIR) | 2 | |
| *8 | 339031 | LED (A) 220V-240V | 1 | |
| *9 | 994273 | NOISE SUPPRESSOR | 1 | EXCEPT FOR USA,CAN |
| 10 | 306664 | TAPPING SCREW (W/FLANGE) D4X40 (BLACK) | 1 | |
| 11 | 301653 | TAPPING SCREW (W/FLANGE) D4X20 (BLACK) | 6 | |
| 12 | | NAME PLATE | 1 | |
| *13 | 302488 | EARTH TERMINAL | 1 | EXCEPT FOR USA,CAN |
| 14 | 960356 | TERMINAL (A) M3.5 (10 PCS.) | 2 | |
| 15 | 959140 | CONNECTOR 50091 (10 PCS.) | 1 | |
| 16 | 938307 | PILLAR TERMINAL | 1 | |
| *17 | 340915E | STATOR 220V-240V | 1 | |
| *18A | 375950 | CONTROLLER 220V-240V | 1 | |
| 19 | 339023 | SLIDE BAR | 1 | |
| 20 | 305499 | MACHINE SCREW (W/WASHER) M3.5X6 | 2 | |
| 21 | 330698 | SNAP SWITCH (W/SCREW) | 1 | INCLUD.20 |
| *22 | 334379 | FERRITE CORE | 1 | EXCEPT FOR USA,CAN |
| 23 | 960266 | CORD CLIP | 1 | |
| 24 | 984750 | TAPPING SCREW (W/FLANGE) D4X16 | 2 | |
| 25 | 980063 | TERMINAL | 1 | |
| 26 | 953327 | CORD ARMOR D8.8 | 1 | |
| *27 | 500247Z | CORD | 1 | |
| 28 | 949217 | MACHINE SCREW M4X12 (10 PCS.) | 4 | |
| 29 | 339016 | GUARD BAR | 1 | |
| 30A | 375860 | UPPER COVER | 1 | |
| 31 | 339009 | GUIDE PLATE | 1 | |
| 32 | 326573 | SEAL LOCK SCREW M4X10 | 4 | |
| 33 | 339007 | CONNECTING PIECE | 1 | |
| 34 | 940917 | NEEDLE BEARING | 1 | |
| 35 | 940079 | RETAINING RING FOR D8 SHAFT | 1 | |
| 36 | 963351 | WASHER (B) | 1 | |
| 37 | 983162 | SEAL LOCK HEX. SOCKET HD. BOLT M4X12 | 2 | |
| 38 | 339285 | WEIGHT HOLDER | 1 | |
| 39 | 339000 | BALANCE WEIGHT | 1 | |
| 40 | 338993 | GEAR | 1 | |
| 41 | 338999 | ORBITAL CAM | 1 | |
| 42 | 957540 | WASHER (A) | 1 | |
| 43 | 339019 | ORBITAL PIN | 1 | |
| 44 | 305740 | FELT | 1 | |
| 45A | 377655 | GEAR COVER | 1 | |
| 46 | 332425 | PLATE NUT | 1 | |
| 47 | 339015 | LEVER SPRING | 1 | |
| 48 | 339014 | LEVER BOLT | 1 | |
| 49 | 339296 | RETAINING RING D18 | 1 | |
| 50A | 375856 | LEVER | 1 | |
| 51 | 339002 | PLUNGER (B) | 1 | |
| 52 | 311814 | O-RING (P-15) | 1 | |
| 53 | 339001 | SPRING | 1 | |

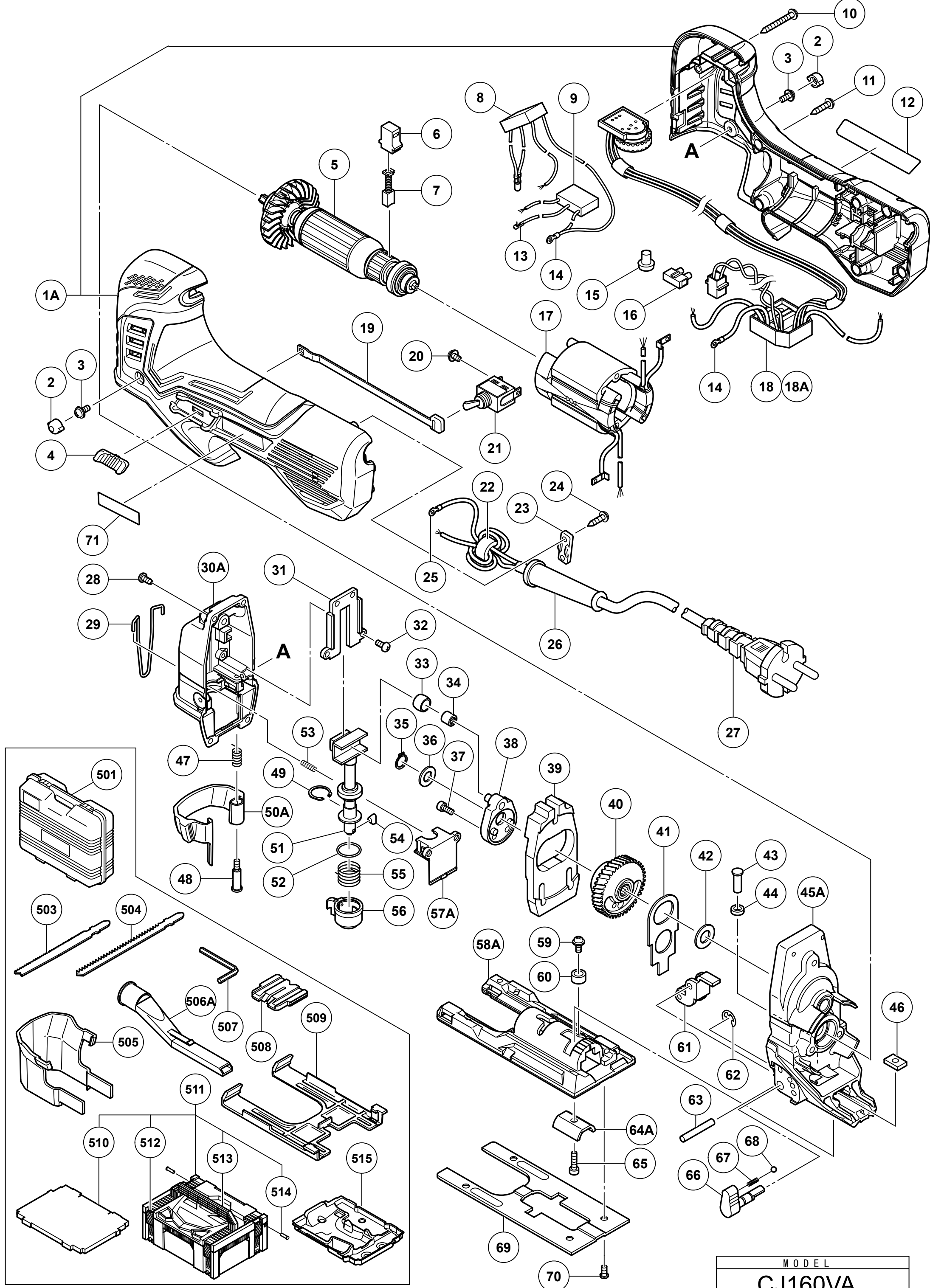
* ALTERNATIVE PARTS

HIKOKI

JIG SAW CJ160VA

| Item No. | Code No. | Description | No. Used | Remarks |
|----------|----------|--|----------|--------------------|
| 54 | 339004 | HOLDER PIN | 1 | |
| 55 | 339005 | HOLDER SPRING | 1 | |
| 56 | 339282 | HOLDER COVER | 1 | |
| 57A | 375853 | PLUNGER COVER | 1 | |
| 58A | 375854 | BASE | 1 | |
| 59 | 949213 | MACHINE SCREW M4X5 (10 PCS.) | 1 | |
| 60 | 321576 | RUBBER BUSHING | 1 | |
| 61 | 339297 | ROLLER HOLDER | 1 | |
| 62 | 673489 | RETAINING RING (E-TYPE) FOR D5 SHAFT | 1 | |
| 63 | 338990 | NEEDLE ROLLER | 1 | |
| 64A | 339663 | BASE LOCKER | 1 | |
| 65 | 949658 | HEX. SOCKET HD. BOLT M5X18 (10 PCS.) | 1 | |
| 66 | 338992 | CHANGE KNOB | 1 | |
| 67 | 982454 | SPRING (C) | 1 | |
| 68 | 335297 | STEEL BALL 5/32 (10 PCS.) | 1 | |
| 69 | 339012 | BASE PLATE | 1 | |
| 70 | 321996 | SPECIAL BOLT | 4 | |
| 71 | | BRAND LABEL | 1 | |
| | | STANDARD ACCESSORIES | | |
| *501 | 339017 | CASE | 1 | |
| 503 | | JIG SAW BLADES NO.123X | 1 | |
| 504 | 879357 | JIG SAW BLADES NO.41 (5 PCS.) | 1 | |
| 505 | 338996 | CHIP COVER | 1 | |
| 506A | 370492 | DUST COLLECTOR | 1 | |
| 507 | 944458 | HEX. BAR WRENCH 4MM | 1 | |
| 508 | 338997 | SPLINTER GUARD | 1 | |
| 509 | 339018 | SUB BASE | 1 | |
| *510 | 339281 | CUSHION (C) | 1 | |
| *511 | 402539 | SYSTEM CASE 2 | 1 | INCLUD.510,512-514 |
| *512 | 336472 | LATCH | 4 | |
| *513 | 336473 | HANDLE | 1 | |
| *514 | 336474 | HINGE | 2 | |
| *515 | 337740 | INNER TRAY | 1 | |
| | | OPTIONAL ACCESSORIES | | |
| 601 | 321593 | GUIDE | 1 | |
| 602 | 325149 | GREASE (MOLUB-ALLOY NO.777-1) 75G | 1 | |
| 603 | 309922 | GREASE (ATTOLUB MS NO.2) 500G | 1 | |
| 604 | 930035 | GREASE (SEP-3A) (100G) | 1 | |
| 605 | 879336 | JIG SAW BLADES NO.11 (5 PCS.) | 1 | |
| 606 | 879337 | JIG SAW BLADES NO.12 (5 PCS.) | 1 | |
| 607 | 879338 | JIG SAW BLADES NO.15 (5 PCS.) | 1 | |
| 608 | 879339 | JIG SAW BLADES NO.16 (5 PCS.) | 1 | |
| 609 | 879340 | JIG SAW BLADES NO.21 (5 PCS.) | 1 | |
| 610 | 879341 | JIG SAW BLADES NO.22 (5 PCS.) | 1 | |
| 611 | 963400 | JIG SAW BLADES NO.97 FOR STAINLESS(5PCS) | 1 | |
| 612 | 321878 | JIG SAW BLADES (LONG) 185L (3PCS.) | 1 | |

* ALTERNATIVE PARTS



MODEL
CJ160VA