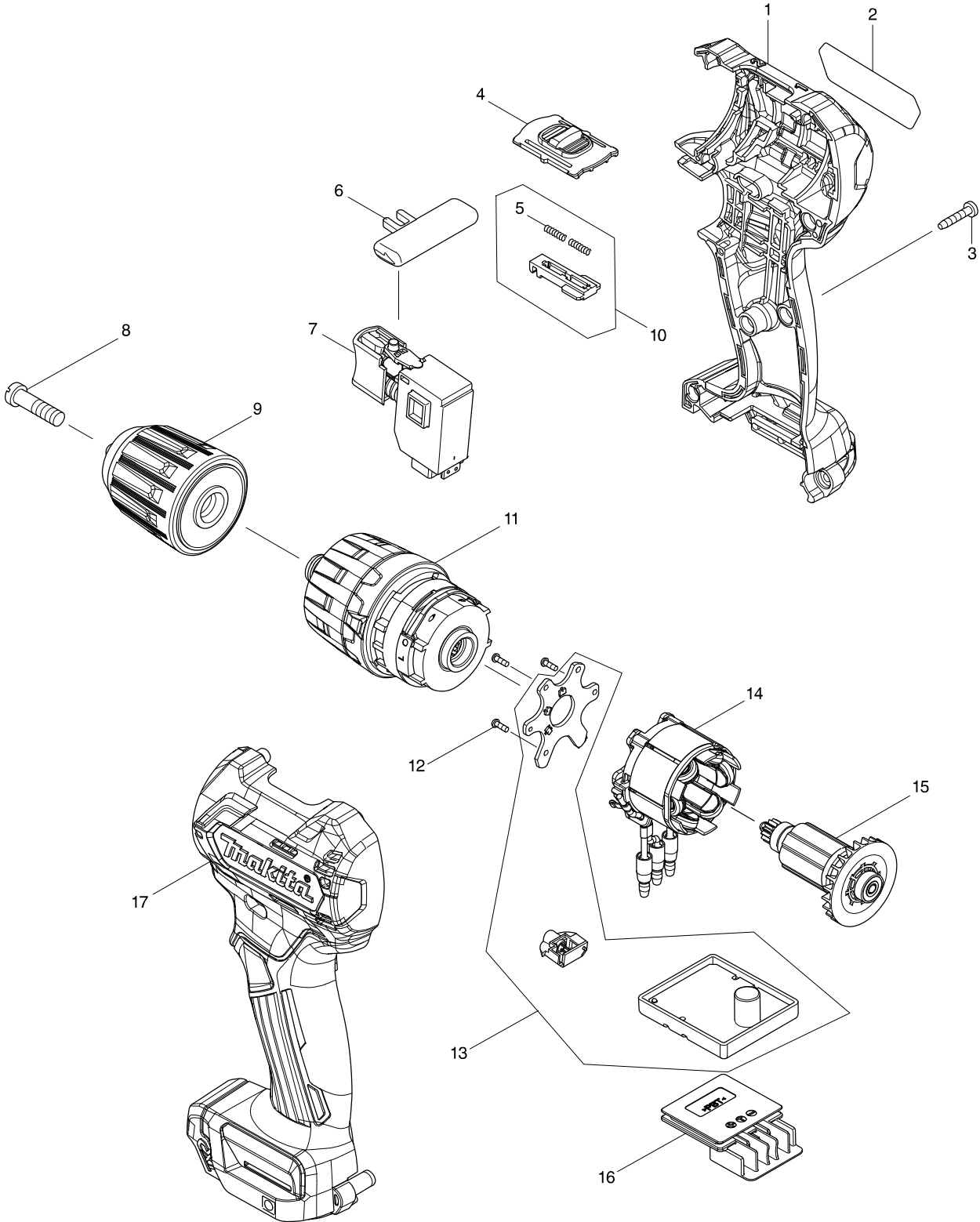


Numéro du modèle HP332D CORDLESS HAMMER DRIVER DRILL



Position	Référence pièce	Description	Echelle	QTE	N/O	Option 1	Option 2	COMMENTAIRE
001	183C34-7	HOUSING SET		1				
D10		INC. 17						
002	851T70-0	HP332D NAME PLATE		1				
003	266429-2	TAPPING SCREW 3X16		8		P1		
004	456532-9	SPEED CHANGE LEVER		1				
005	233025-1	COMPRESSION SPRING 2		2		P3		
006	419041-9	F/R CHANGE LEVER		1		P1		
007	650689-0	SWITCH C3JW-2B		1		P18		
008	251468-5	- FLAT HEAD SCREW M6X22		1		P1		
009	763238-5	KEYLESS DRILL CHUCK 10		1				
010	123587-6	CHANGE LEVER ASS'Y		1				
D10		INC. 5						
011A	123548-6	GEAR ASSEMBLY		1	*			
011B	123548-6	GEAR ASSEMBLY		1	*			
011C	123548-6	GEAR ASSEMBLY		1	*			
011D	123548-6	GEAR ASSEMBLY		1	*			
011-1A	123761-6	GEAR ASSEMBLY	O	1	*			
011-1B	123761-6	GEAR ASSEMBLY	O	1	*			
011-1C	123761-6	GEAR ASSEMBLY	O	1	*			
011-1D	123761-6	GEAR ASSEMBLY	O	1	*			
011-1E	123761-6	GEAR ASSEMBLY		1	*			
011-2	123867-0	GEAR ASSEMBLY	O	1				
012	266490-9	TAPPING SCREW PT 2X6		3				
013	620487-6	CONTROLLER		1	*			
013-1	620487-6	CONTROLLER	O	1				
C10	620553-9	LED CIRCUIT		1				
014	629178-6	STATOR		1				
015	619393-0	ROTOR		1				
016	644813-5	TERMINAL		1				
017	183C34-7	HOUSING SET		1				
D10		INC. 1						
A01	251314-2	+ SCREW M4X12		1		P1		
A02	346909-5	HOOK		1				
A03	784244-7	+ BIT 2-50		1		A2		
A04B	456128-6	BATTERY COVER		1				
A04C	456128-6	BATTERY COVER		1				
A04D	821549-5	CONNECTOR PLASTIC CASE (TYPE1)		1		A26		
C10	453974-8	LATCH		4		P1		
A04E	456128-6	BATTERY COVER		1				
A05B	***DC10SA	DC10SA BATTERY CHARGER		1				
D10		COMPO-PARTS						
A05C	***DC10WC	DC10WC BATTERY CHARGER		1				
D10		COMPO-PARTS						
A05D	838312-9	INNER TRAY		1				
A05E	***DC10SA	DC10SA BATTERY CHARGER		1				
D10		COMPO-PARTS						
A06B	197394-3	BATTERY BL1020B SET		2				
A06C	197402-0	BATTERY BL1040B SET		2				

