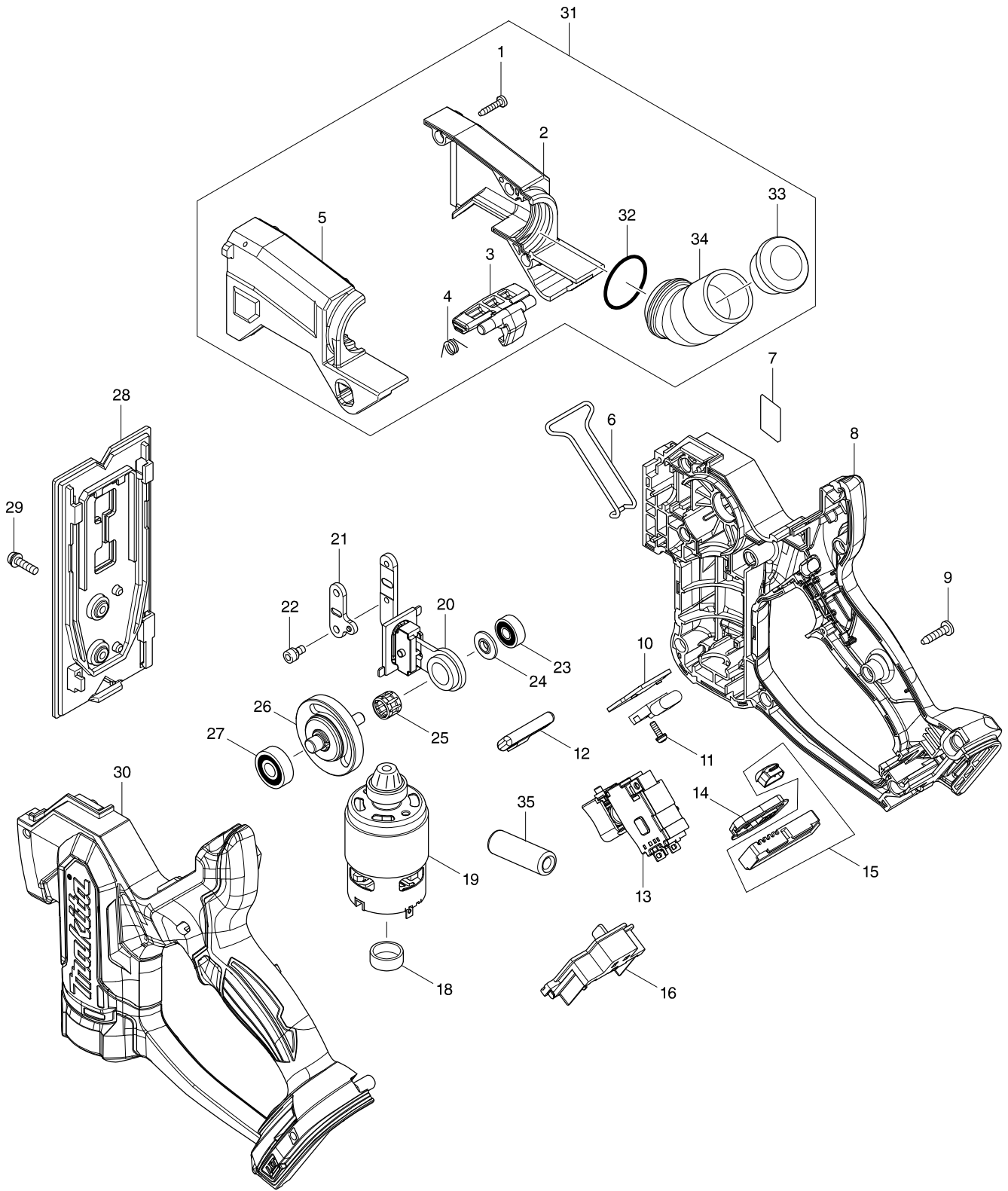


Numéro du modèle DSD180 CORDLESS DRYWALL SAW



Numéro du modèle DSD180 CORDLESS DRYWALL SAW

Position	Référence pièce	Description	Echelle	QTE	N/O	Option 1	Option 2	COMMENTAIRE
001	266130-9	TAPPING SCREW BIND PT 3X16		3		P1		
002	183C66-4	DUST COLLECTOR SET		1				
D10		INC. 5						
003	456628-6	HOOK		1				
004-1	231661-7	TORSION SPRING 9		1				
005	183C66-4	DUST COLLECTOR SET		1				
D10		INC. 2						
006	326680-7	SAFETY WIRE		1				
007	852N21-0	DSD180 NAME PLATE		1				
008	183E41-2	HOUSING SET		1				
C10	263002-9	RUBBER PIN 4		1		P1		
C20	263005-3	RUBBER PIN 6		2		P2		
D10		INC. 30						
009	266326-2	TAPPING SCREW 4X18		9		P2		
010	689098-6	HEAT SINK		1		P2		
011	911013-5	PAN HEAD SCREW M3X10		1		P1		
012	456625-2	LOCK OFF BUTTON		1				
013	650762-6	SWITCH		1				
014	140963-9	SWITCH PLATE COMPLETE		1		P2		
015	620509-2	LIGHT CIRCUIT		1				
016	644808-8	TERMINAL		1		P5		
018	421940-3	CAP		1		P1		
019	629193-0	DC MOTOR		1				
020	143694-9	SLIDER COMPLETE		1				
C10	256305-8	PIN 4		1				
C20	257391-2	RING 4		1				
C30	310686-5	SLIDER PLATE		1				
C40	310687-3	SLIDER GUIDE		1				
021	347010-9	BLADE HOLDER		1				
022	922106-3	HEX. SOCKET HEAD BOLT M4X8		2		P1		
023	211012-0	BALL BEARING 606ZZ		1		P20		
024	326679-2	SHOULDER WASHER		1				
025	212077-5	NEEDLE CAGE		1		P6		
026	143690-7	CRANK SHAFT COMPLETE		1				
027	211032-4	BALL BEARING 608ZZ		1		P9		
028	456623-6	BASE		1				
029	911128-8	PAN HEAD SCREW M4X16		2		P1		
030	183E41-2	HOUSING SET		1				
C10	263002-9	RUBBER PIN 4		1		P1		
C20	263005-3	RUBBER PIN 6		2		P2		
D10		INC. 8						
031	123559-1	DUST COLLECTOR ASSEMBLY		1				
D10		INC. 1-3,4-1,5,32-34						
032	213412-0	O RING 29		1		P4		
033	286268-4	CAP 31		1		P2		
034	451177-8	DUST NOZZLE		1				
035	688165-4	LINE FILTER		1		P1		
A01	456624-4	BASE COVER		1				

