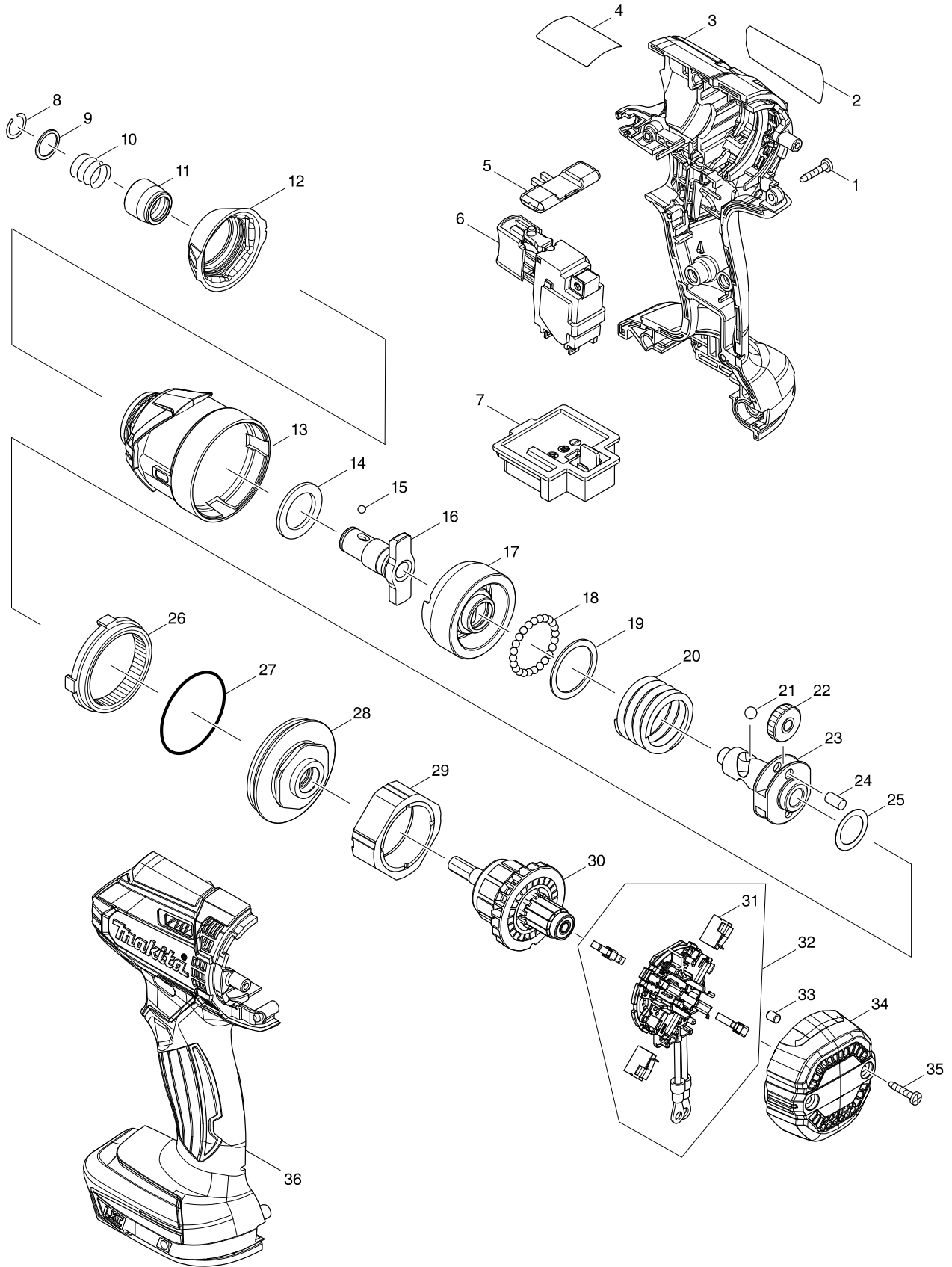


Numéro du modèle DTD152 CORDLESS IMPACT DRIVER



Numéro du modèle DTD152 CORDLESS IMPACT DRIVER

Position	Référence pièce	Description	Echelle	QTE	N/O	Option 1	Option 2	COMMENTAIRE
001	266429-2	TAPPING SCREW 3X16		8		P1		
002	851E29-7	DTD152 NAME PLATE		1				
003	183B63-4	HOUSING SET		1				
C10	263005-3	RUBBER PIN 6		2		P2		
D10		INC. 36						
005	455053-8	F/R CHANGE LEVER		1				
006	632F26-6	SWITCH UNIT		1				
C10	620445-2	LED CIRCUIT		1				
C20	688164-6	LINE FILTER		1		P1		
007	643852-2	TERMINAL		1		P5		
008	231951-8	RING SPRING 11		1		P2		
009	267085-1	FLAT WASHER 12		1		P2		
010	233005-7	COMPRESSION SPRING 13		1		P2		
011	326072-0	BIT SLEEVE		1		P3		
012	424738-7	BUMPER		1				
013	143299-5	HAMMER CASE COMPLETE		1				
014	261151-6	NYLON WASHER 19		1		P1		
015	216040-0	STEEL BALL 3.5		2				
016	326565-7	ANVIL M		1				
017	326564-9	HAMMER		1				
018	216040-0	STEEL BALL 3.5		24				
019	267175-0	FLAT WASHER 24		1		P2		
020	234251-5	COMPRESSION SPRING 25		1		P5		
021	216041-8	STEEL BALL 5.6		2				
022	227362-3	SPUR GEAR 22		2				
023	326562-3	SPINDLE		1				
024	256253-1	PIN 5		2		P1		
025	253314-8	THIN WASHER 15		1		P2		
026	227378-8	INTERNAL GEAR 51		1				
027	213507-9	O RING 40		1		P5		
028	143298-7	BEARING BOX COMPLETE		1				
029	638396-5	YOKE UNIT		1		P18		
030	619377-8	ARMATURE		1				
031	196854-2	CARBON BRUSH CB-448		2				
032	632F25-8	BRUSH HOLDER COMPLETE		1				
C10	688172-7	LINE FILTER		1		P1		
C20	654037-5	INSULATED TERM. FT1.25-M3		2		P1		
D10		INC. 31						
033	263032-0	RUBBER PIN 4		4		P1		
034	456044-2	REAR COVER		1				
035	266429-2	TAPPING SCREW 3X16		2		P1		
036	183B63-4	HOUSING SET		1				
C10	263005-3	RUBBER PIN 6		2		P2		
D10		INC. 3						
A01	346317-0	HOOK		1		A3		
A02	266622-8	+ TRUSS HEAD SCREW M4X12		1		A1		
A03C	821550-0	CONNECTOR PLASTIC CASE (TYPE2)		1		A28		
C10	453974-8	LATCH		4		P1		

