

HIKOKI

SLIDE COMPOUND SAW

| Item No. | Code No. | Description | No. Used | Remarks |
|----------|----------|---|----------|------------------------------|
| 1 | 935196 | MACHINE SCREW (W/WASHERS) M4X12 (BLACK) | 1 | |
| 2 | 312488 | CLAMP LEVER | 1 | |
| 3 | 329409 | BOLT (LEFT HAND) D10 | 1 | |
| 4 | 965077 | SPECIAL WASHER | 1 | |
| 5 | 325028 | SET PIN | 1 | |
| 6 | 996407 | O-RING (1AP-12) | 1 | |
| 7 | 949215 | MACHINE SCREW M4X8 (10 PCS.) | 5 | |
| 8 | 949429 | BOLT WASHER M4 (10 PCS.) | 6 | |
| 9 | 320141 | HINGE SHAFT (A) | 1 | |
| 10 | 329417 | SCALE (B) | 1 | |
| 11 | 329408 | LINER (A) | 1 | |
| 12 | 312481 | SPRING | 1 | |
| 13A | 329422 | TURN TABLE ASS'Y | 1 | INCLUD.10 |
| 14 | 329418 | SHAFT (B) | 1 | |
| 15 | 949437 | BOLT WASHER M12 (10 PCS.) | 2 | |
| 16 | 949217 | MACHINE SCREW M4X12 (10 PCS.) | 1 | |
| 17 | 321329 | INDICATOR | 1 | |
| 18 | 949256 | MACHINE SCREW M6X16 (10 PCS.) | 6 | |
| 19 | 329421 | TABLE INSERT | 2 | |
| 20 | 321342 | SPACER (A) | 1 | |
| 21 | 329416 | SHAFT (A) | 1 | |
| 22 | 673489 | RETAINING RING (E-TYPE) FOR D5 SHAFT | 1 | |
| 23A | 376050 | SIDE HANDLE | 1 | |
| 24 | 321339 | LEVER SHAFT | 1 | |
| 25 | 321338 | LEVER | 1 | |
| 26 | 321340 | SPRING (D) | 1 | |
| 27 | | CAUTION LABEL (D) | 1 | |
| 27 | | CAUTION LABEL (C) | 1 | |
| 28 | 329415 | SHAFT (C) | 1 | |
| 29 | 987860 | SEAL LOCK HEX. SOCKET SET SCREW M6X6 | 1 | |
| 30 | 321417 | SPRING (E) | 1 | |
| 31 | 322280 | STOPPER (A) | 1 | |
| 32 | 324395 | COVER (B) | 1 | |
| 33 | 875249 | THRUST WASHER | 1 | |
| 34 | 321336 | PIN COVER | 1 | |
| 35 | 302522 | KNOB BOLT M10X66 | 1 | |
| 36 | 301806 | WING BOLT M6X15 | 1 | |
| 37 | | SCREW HOLDER | 1 | |
| 38 | 949432 | BOLT WASHER M6 (10 PCS.) | 1 | |
| 39 | 329859 | WISE SHAFT | 1 | |
| 40 | 302532 | WISE PLATE | 1 | |
| 41 | 949216 | MACHINE SCREW M4X10 (10 PCS.) | 1 | |
| 42 | 329860 | WISE ASS'Y | 1 | INCLUD.35-41 |
| 43 | 949678 | BOLT M8X35 (10 PCS.) | 4 | |
| 44 | 949457 | SPRING WASHER M8 (10 PCS.) | 4 | |
| 45 | 949433 | BOLT WASHER M8 (10 PCS.) | 4 | |
| 46 | 307937 | WING BOLT (A) | 1 | |
| 47 | 329420 | FENCE (B) | 1 | |
| 48 | 963837 | NYLON NUT M6 | 1 | FOR USA,CAN,EUROPE,MODEL (S) |
| 49 | 329465 | PLATE | 1 | FOR USA,CAN,EUROPE,MODEL (S) |
| 50 | 330138 | SUB FENCE | 1 | FOR USA,CAN,EUROPE,MODEL (S) |
| 51 | 949342 | FLAT HD. SCREW M6X25 (10 PCS.) | 1 | FOR USA,CAN,EUROPE,MODEL (S) |
| 52 | 998844 | HOLDER | 1 | |

* ALTERNATIVE PARTS

HIKOKI

SLIDE COMPOUND SAW

| Item No. | Code No. | Description | No. Used | Remarks |
|----------|----------|--------------------------------------|----------|--|
| 53 | 949610 | BOLT M6X10 (10 PCS.) | 1 | |
| 54 | 324400 | LINER | 3 | |
| 55 | 329419 | FENCE (A) | 1 | EXCEPT FOR USA,CAN,EUROPE (TILL 12.2018 |
| *55 | 329419 | | | FOR USA,CAN), (TILL 04.2019 FOR EUROPE) |
| 55A | 375128 | FENCE (A) | 1 | SINCE 01.2019 FOR USA,CAN,MODEL(S) |
| *55A | 375128 | | | SINCE 05.2019 FOR EUROPE |
| 56 | 329414 | BASE ASS'Y | 1 | INCLUD.53,57,58 EXCEPT FOR USA,CAN, |
| *56 | 329414 | | | MODEL(S),EUROPE |
| 56A | 375127 | BASE ASS'Y | 1 | INCLUD.53,57,58,236 FOR USA,CAN,MODEL(S) |
| *56A | 375127 | | | EUROPE |
| 57 | 323606 | BASE RUBBER | 4 | |
| 58 | 315210 | SCALE (A) | 1 | |
| 59 | | CAUTION LABEL (A) | 1 | |
| 59 | | CAUTION LABEL (B) | 1 | |
| | | | | FOR CHN |
| 81 | 949215 | MACHINE SCREW M4X8 (10 PCS.) | 2 | |
| 82 | 949429 | BOLT WASHER M4 (10 PCS.) | 6 | |
| 83 | 329491 | COVER | 1 | |
| 84 | 322889 | SLEEVE | 1 | |
| 85 | 329410 | SPRING | 1 | |
| 86 | 961554 | HEX. SOCKET SET SCREW M8X10 | 4 | |
| 87 | 329427 | HINGE (A) ASS'Y | 1 | INCLUD.86,113 |
| 88 | 319270 | ADJUSTER | 1 | |
| 89 | 949237 | MACHINE SCREW M5X12 (10 PCS.) | 1 | |
| 90 | 998980 | SPACER | 1 | |
| 91A | 329411 | LINK | 1 | |
| 92 | 320141 | HINGE SHAFT (A) | 1 | |
| 93 | 323606 | BASE RUBBER | 1 | |
| 94 | 984528 | O-RING (P-6) | 1 | |
| 95 | 302518 | STOPPER PIN ASS'Y | 1 | INCLUD.94 |
| 96 | 305180 | CLUTCH SCREW | 1 | |
| 97 | 305179 | CLUTCH SPRING | 1 | |
| 98 | 962614 | ADJUSTING WASHER (B) T0.5 | 1 | |
| 99 | 319268 | PLATE (B) | 1 | |
| 100 | 319267 | SPRING | 1 | |
| 101 | 305179 | CLUTCH SPRING | 1 | |
| 102 | 319267 | SPRING | 2 | |
| 103 | 319541 | SEAL LOCK HEX. SOCKET SET SCREW M5X6 | 2 | |
| 104 | 319271 | COVER (A) | 1 | |
| 105 | 322291 | PLATE (A) | 1 | |
| 106 | 319269 | HOLDER (B) | 1 | |
| 107 | 329863 | LASER MARKER | 1 | |
| 108 | 949217 | MACHINE SCREW M4X12 (10 PCS.) | 3 | |
| 109 | | CAUTION LABEL (J) | 1 | |
| 110 | 500234Z | CORD | 1 | (CORD ARMOR D10.1) |
| *110 | 500247Z | CORD | 1 | (CORD ARMOR D10.1) FOR FIN,DEN,SWE,NOR, |
| *110 | 500247Z | | | MODEL (S) |
| *110 | 500434Z | CORD | 1 | (CORD ARMOR D10.1) FOR USA,CAN |
| *110 | 500439Z | CORD | 1 | (CORD ARMOR D10.1) FOR AUS |
| *110 | 500423Z | CORD | 1 | (CORD ARMOR D10.1) FOR MAL,SIN |
| *110 | 500456Z | CORD | 1 | (CORD ARMOR D10.1) FOR CHN |
| *110 | 500435Z | CORD | 1 | (CORD ARMOR D10.1) FOR HKG |
| *110 | 500455Z | CORD | 1 | (CORD ARMOR D10.1) FOR THA,PHI |

* ALTERNATIVE PARTS

HIKOKI

SLIDE COMPOUND SAW

| Item No. | Code No. | Description | No. Used | Remarks |
|----------|----------|---|----------|---|
| 111 | 935196 | MACHINE SCREW (W/WASHERS) M4X12 (BLACK) | 1 | |
| *112 | 948614 | NYLON CLIP | 1 | |
| *112 | 948193 | NYLON CLIP | 1 | FOR USA,CAN,FIN,DEN,SWE,NOR,MODEL (S) |
| 113 | 329492 | SUPPORT | 1 | |
| 114 | 329424 | BALL BUSHING | 1 | |
| 115 | 326141 | BUSHING | 1 | |
| 116 | 324418 | KNOB BOLT M6X25 | 1 | |
| 117 | 947859 | LOCK SPRING | 1 | |
| 118 | 307956 | SEAL LOCK HEX. SOCKET SET SCREW M6X10 | 1 | |
| 119 | 949217 | MACHINE SCREW M4X12 (10 PCS.) | 1 | |
| 120 | 321329 | INDICATOR | 1 | |
| 121 | 301575 | HEX. SOCKET SET SCREW M6X8 | 2 | |
| 122 | 305558 | TAPPING SCREW (W/FLANGE) D5X25 (BLACK) | 1 | EXCEPT FOR EUROPE,MODEL (S) |
| 123 | 303409 | NYLOCK BOLT M8X25 | 2 | |
| 124 | 329428 | HOLDER (A) | 1 | |
| 125 | 324372 | GUARD ASS'Y | 1 | INCLUD.122 EXCEPT FOR EUROPE,MODEL (S) |
| *125 | 324372 | GUARD ASS'Y | 1 | TILL 12.2018 FOR USA,CAN |
| 126 | 998879 | KNOB BOLT | 1 | FOR EUROPE,MODEL (S) (SINCE 01.2019 FOR |
| *126 | 998879 | | | USA,CAN,MODEL(S)) |
| 127 | 321333 | GUARD (A) | 1 | FOR EUROPE,MODEL (S) (SINCE 01.2019 FOR |
| *127 | 321333 | | | USA,CAN,MODEL(S)) |
| 128 | 321394 | GUARD HOLDER | 1 | FOR EUROPE,MODEL (S) (SINCE 01.2019 FOR |
| *128 | 321394 | | | USA,CAN,MODEL(S)) |
| 151 | 984750 | TAPPING SCREW (W/FLANGE) D4X16 | 3 | |
| 152 | 938051 | CORD ARMOR D10.1 | 1 | |
| 153 | 937631 | CORD CLIP | 1 | |
| 154 | 319349 | CORD BUSH | 1 | |
| 155 | 329490 | HOUSING ASS'Y | 1 | INCLUD.158,159 |
| 156 | | NAME PLATE | 1 | |
| 157 | 322123 | MACHINE SCREW (W/WASHERS) M5X40 (BLACK) | 3 | |
| 158 | 938477 | HEX. SOCKET SET SCREW M5X8 | 2 | |
| 159 | 957571 | BRUSH HOLDER | 2 | |
| *160 | 999001 | CARBON BRUSH (1 PAIR) | 2 | |
| *160 | 999021 | CARBON BRUSH (1 PAIR) | 2 | FOR USA,CAN |
| 161 | 931266 | BRUSH CAP | 2 | |
| 162 | 303970 | TAPPING SCREW (CLASS 2) D4X14 | 1 | |
| 163 | 301653 | TAPPING SCREW (W/FLANGE) D4X20 (BLACK) | 7 | |
| 164 | 329438 | HANDLE COVER | 1 | EXCEPT FOR USA,CAN,EUROPE (TILL 12.2018 |
| *164 | 329438 | | | FOR USA,CAN), (TILL 04.2019 FOR EUROPE) |
| 164A | 375126 | HANDLE COVER | 1 | SINCE 01.2019 FOR USA,CAN,MODEL(S) |
| *164A | 375126 | | | SINCE 05.2019 FOR EUROPE |
| *165 | 329488 | SWITCHING POWER SUPPLY ASS'Y | 1 | |
| *165 | 329487 | SWITCHING POWER SUPPLY ASS'Y | 1 | FOR USA,CAN |
| *165 | 336581 | SWITCHING POWER SUPPLY | 1 | FOR MODEL (S) |
| 166 | 324518 | FERRITE CORE | 1 | FOR EUROPE,AUS,INA,MODEL (S) |
| 167 | 319503 | SWITCH (W/COVER) | 2 | |
| 168 | 959141 | CONNECTOR 50092 (10 PCS.) | 3 | FOR USA,CAN (SINCE 05.2019 FOR EUROPE) |
| *169 | 329461 | INTERNAL WIRE (G) | 1 | |
| *169 | 329430 | INTERNAL WIRE (G) | 1 | FOR USA,CAN |
| 170 | 324424 | SWITCH (3P FASTON TYPE) W/O LOCK | 1 | EXCEPT FOR USA,CAN,EUROPE (TILL 12.2018 |
| *170 | 324424 | | | FOR USA,CAN), (TILL 04.2019 FOR EUROPE) |
| 170A | 375115 | SWITCH (3P FASTON TYPE) W/O LOCK | 1 | SINCE 01.2019 FOR USA,CAN,MODEL(S) |
| *170A | 375115 | | | SINCE 05.2019 FOR EUROPE |

* ALTERNATIVE PARTS

HIKOKI

SLIDE COMPOUND SAW

| Item No. | Code No. | Description | No. Used | Remarks |
|----------|----------|---|----------|---|
| 171 | 958308Z | PILLAR TERMINAL (A) | 1 | EXCEPT FOR USA,CAN,EUROPE (TILL 04 2019 |
| *171 | 958308Z | | | FOR EUROPE) |
| 172A | 336582 | NOISE SUPPRESSOR | 1 | FOR EUROPE,AUS,INA,MODEL (S) |
| 173 | 329821 | CLEAR COVER | 1 | |
| 174 | 322375 | CAP (A) | 1 | |
| 175 | 329489 | LIGHT (H) ASS'Y | 1 | INCLUD.173,174 |
| 176 | 323433 | SPRING | 1 | |
| 177 | 323432 | LOCK LEVER | 1 | |
| 178 | 329436 | FAN GUIDE | 1 | |
| 179 | 960108 | HEX. HD. TAPPING SCREW D4X60 | 2 | |
| 180 | 931867 | BRUSH TERMINAL | 2 | |
| *181 | 340729D | STATOR ASS'Y 120V | 1 | INCLUD.180 |
| *181 | 340729E | STATOR ASS'Y 220V-230V | 1 | INCLUD.180 |
| *181 | 340729F | STATOR ASS'Y 240V | 1 | INCLUD.180 |
| *181 | 340729G | STATOR ASS'Y 220V-230V | 1 | INCLUD.180 FOR MODEL (S) |
| 182 | 6000VV | BALL BEARING 6000VVCMP2L | 1 | |
| 183 | 315877 | DUST SEAL | 1 | |
| 184 | 608VVM | BALL BEARING 608VVC2PS2L | 1 | |
| 185 | 322089 | BEARING BUSHING | 1 | |
| 186 | 322090 | RUBBER BUSHING | 1 | |
| *187 | 360839U | ARMATURE ASS'Y 110V-120V | 1 | INCLUD.182-184 |
| *187 | 360839E | ARMATURE ASS'Y 220V-230V | 1 | INCLUD.182-184 |
| *187 | 360839F | ARMATURE ASS'Y 240V | 1 | INCLUD.182-184 |
| *187 | 360839G | ARMATURE ASS'Y 220V-230V | 1 | INCLUD.182-184 FOR MODEL (S) |
| *187 | 360839G | | | TILL 04.2019 FOR EUROPE |
| 187A | 361115E | ARMATURE ASS'Y 220V-230V | 1 | INCLUD.182-184 SINCE 05.2019 FOR EUROPE |
| 188 | 961468 | KNOB BOLT M6X37 | 1 | |
| 189 | 988821 | LOCK SPRING | 1 | |
| 190 | 303409 | NYLOCK BOLT M8X25 | 1 | |
| 191 | 996274 | MACHINE SCREW (W/WASHERS) M5X8 | 1 | |
| 192 | 329425 | SPINDLE COVER | 1 | |
| 193 | | WARNING LABEL (A) | 1 | |
| | | | | FOR USA,CAN |
| 194 | 935196 | MACHINE SCREW (W/WASHERS) M4X12 (BLACK) | 1 | |
| 195 | 935196 | MACHINE SCREW (W/WASHERS) M4X12 (BLACK) | 1 | |
| 196 | 980523 | NYLON CLIP | 1 | |
| 197 | 877839 | SEAL LOCK HEX. SOCKET HD. BOLT M5X10 | 1 | |
| 198 | 329431 | GEAR CASE | 1 | |
| 199 | 949260 | MACHINE SCREW M6X25 (10 PCS.) | 1 | |
| 200 | 606ZZM | BALL BEARING 606VV | 1 | |
| 201 | 949455 | SPRING WASHER M6 (10 PCS.) | 1 | |
| 202 | 949425 | WASHER M6 (10 PCS.) | 1 | |
| 203 | 329463 | LOCK LEVER SPRING | 1 | FOR AUS,MODEL (S),(TILL 04.2019 FOR |
| *203 | 329463 | | | EUROPE) |
| 204 | 329462 | LOCK LEVER | 1 | FOR AUS,MODEL (S),(TILL 04.2019 FOR |
| *204 | 329462 | | | EUROPE) |
| 205 | 322950 | SPECIAL SCREW M6 | 1 | FOR AUS,MODEL (S),(TILL 04.2019 FOR |
| *205 | 322950 | | | EUROPE) |
| 206A | 328922 | BRAND PLATE | 1 | |
| *206A | 328922M | BRAND PLATE | 1 | FOR USA,CAN |
| 207 | 308259 | BOLT (W/WASHERS) M6X16 (BLACK) | 1 | |
| 208 | 321364 | DUST GUIDE | 1 | |
| 209 | 312492 | GUIDE HOLDER | 1 | EXCEPT FOR MODEL (S) |

* ALTERNATIVE PARTS

HIKOKI

SLIDE COMPOUND SAW

| Item No. | Code No. | Description | No. Used | Remarks |
|----------|----------|--|----------|---|
| *209 | 335780 | GUIDE HOLDER | 1 | FOR MODEL (S) |
| 210 | 998335 | BOLT (LEFT HAND) W/WASHER M7X17.5 | 1 | |
| 211 | | TCT SAW BLADE 216MM-D15.88 HOLE-NT24 | 1 | |
| 211 | | TCT SAW BLADE 216MM-D25.4 HOLE-NT24 | 1 | |
| 211 | | TCT SAW BLADE 216MM-D30 HOLE-NT24 | 1 | |
| *212 | 976819 | COLLAR (B) FOR D25.4 HOLE | 1 | EXCEPT FOR EUROPE,AUS,USA,CAN,MODEL (S) |
| 213 | 949322 | FLAT HD. SCREW M4X10 (10 PCS.) | 2 | |
| 214 | 307731 | COVER | 1 | |
| 215 | 329412 | LOWER GUARD | 1 | |
| 216 | 317203 | RETURN SPRING | 1 | EXCEPT FOR USA,CAN,MODEL(S),EUROPE |
| 216A | 375131 | RETURN SPRING | 1 | FOR USA,CAN,MODEL(S),EUROPE |
| 217 | 329432 | SPINDLE ASS'Y | 1 | INCLUD.218-220 |
| 218 | 327694 | BALL BEARING 6003VVCM (NYLON RETAINER) | 1 | |
| 219 | 329435 | BEARING HOLDER | 1 | |
| 220 | 608VVM | BALL BEARING 608VVC2PS2L | 1 | |
| 221 | 308789 | WASHER (D) | 2 | |
| 222 | 949241 | MACHINE SCREW M5X20 (10 PCS.) | 2 | |
| 223 | 949454 | SPRING WASHER M5 (10 PCS.) | 2 | |
| 224 | 318452 | WASHER (G) | 1 | |
| 225 | 324458 | INTERNAL WIRE (C) | 2 | FOR USA,CAN |
| 226 | 330137 | TAB TERMINAL | 1 | FOR USA,CAN |
| 227 | 336578 | CONTROLLER | 1 | FOR MODEL (S) |
| 228 | 305720 | TAPPING SCREW (W/FLANGE) D4X12 | 1 | FOR MODEL (S) |
| 229 | 336579 | INTERNAL WIRE (H) L300 | 1 | FOR MODEL (S) |
| 230 | 336580 | INTERNAL WIRE (H) L140 | 1 | FOR MODEL (S) |
| 231 | 375129 | SUB TABLE (E) ASS'Y | 2 | INCLUD.233,234,235 SINCE 01.2019 FOR |
| *231 | 375129 | | | USA,CAN,MODEL(S) |
| *231 | 375129 | | | SINCE 05.2019 FOR EUROPE |
| 232 | 375130 | HOLDER | 2 | SINCE 01.2019 FOR USA,CAN,MODEL(S) |
| *232 | 375130 | | | SINCE 05.2019 FOR EUROPE |
| 233 | 998852 | SPRING | 4 | SINCE 01.2019 FOR USA,CAN,MODEL(S) |
| *233 | 998852 | | | SINCE 05.2019 FOR EUROPE |
| 234 | 374639 | SET SCREW | 4 | SINCE 01.2019 FOR USA,CAN,MODEL(S) |
| *234 | 374639 | | | SINCE 05.2019 FOR EUROPE |
| 235 | 375132 | WING BOLT M6X15 | 2 | SINCE 01.2019 FOR USA,CAN,MODEL(S) |
| *235 | 375132 | | | SINCE 05.2019 FOR EUROPE |
| 236 | 949616 | BOLT M6X25 (10 PCS.) | 2 | SINCE 01.2019 FOR USA,CAN,MODEL(S) |
| *236 | 949616 | | | SINCE 05.2019 FOR EUROPE |
| 238 | 975144 | CABLE TIE | 2 | SINCE 05.2019 FOR EUROPE |
| | | STANDARD ACCESSORIES | | |
| 501 | 940543 | BOX WRENCH 10MM | 1 | |
| 502 | 322955 | DUST BAG (BLACK) | 1 | |
| 502 | 322955M | DUST BAG (BLACK) | 1 | FOR METABOHT |
| | | OPTIONAL ACCESSORIES | | |
| 601 | 963837 | NYLON NUT M6 | 1 | EXCEPT FOR USA,CAN,EUROPE,MODEL(S) |
| 602 | 329465 | PLATE | 1 | EXCEPT FOR USA,CAN,EUROPE,MODEL(S) |
| 603 | 330138 | SUB FENCE | 1 | EXCEPT FOR USA,CAN,EUROPE,MODEL(S) |
| 604 | 949342 | FLAT HD. SCREW M6X25 (10 PCS.) | 1 | EXCEPT FOR USA,CAN,EUROPE,MODEL(S) |
| 605 | 329464 | SUB FENCE ASS'Y | 1 | INCLUD.601-604 EXCEPT FOR USA,CAN, |
| | | | | EUROPE,MODEL(S) |
| 606 | 321374 | CROWN MOLDING STOPPER (L) ASS'Y | 1 | INCLUD.607-610 |
| 607 | 960017 | KNOB BOLT M6X32 | 1 | |
| 608 | 321390 | CROWN MOLDING STOPPER HOLDER | 1 | |

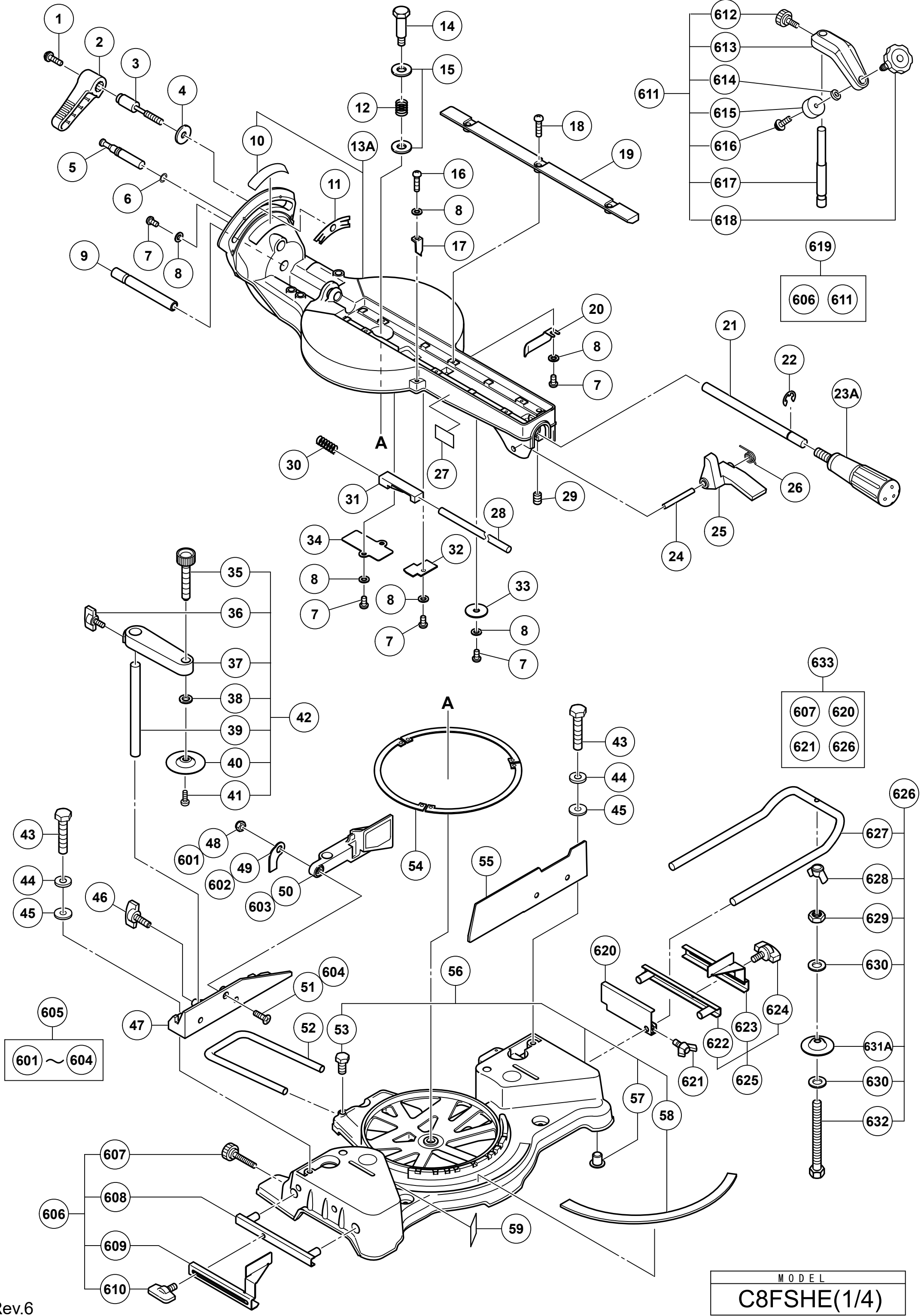
* ALTERNATIVE PARTS

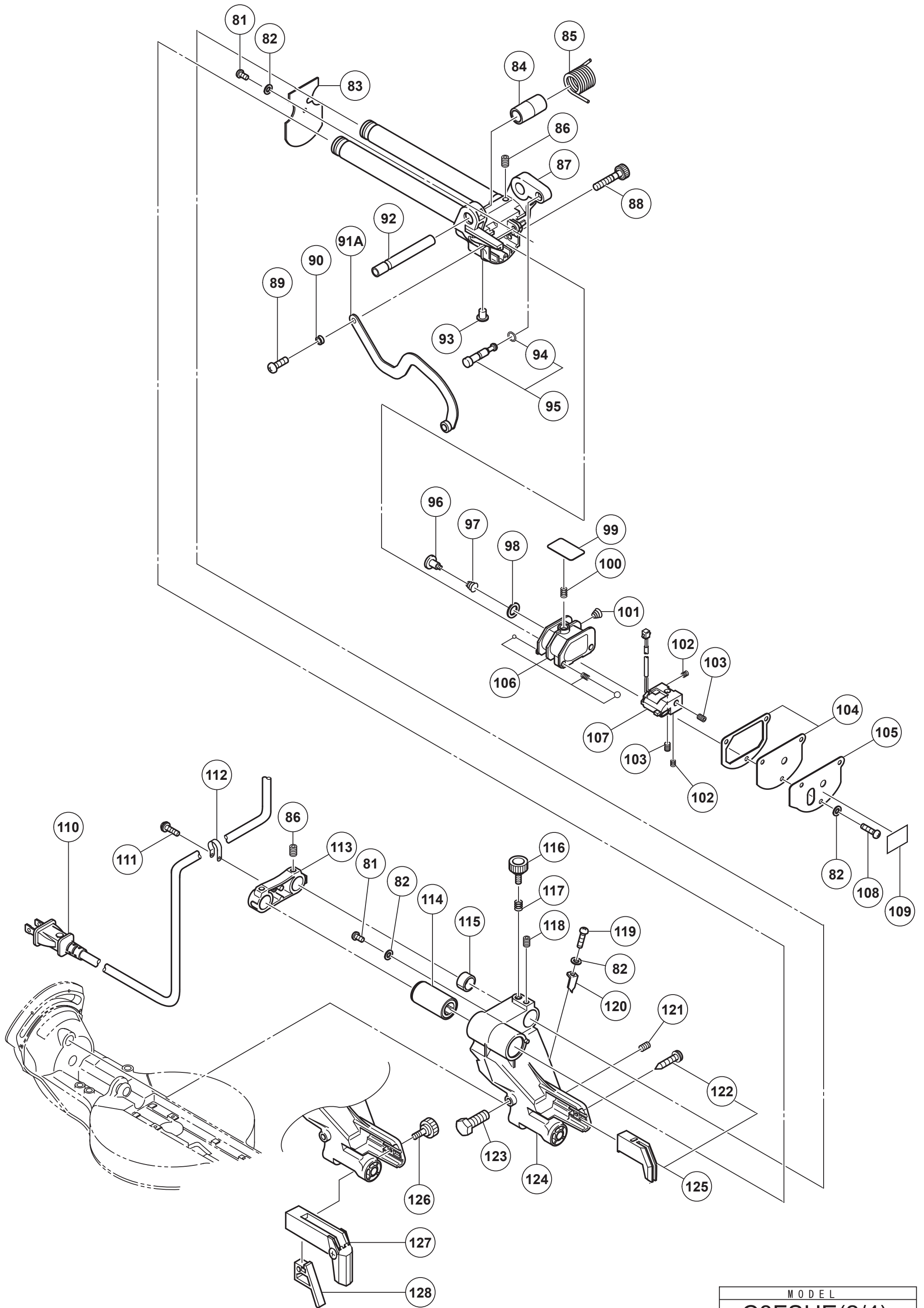
HIKOKI

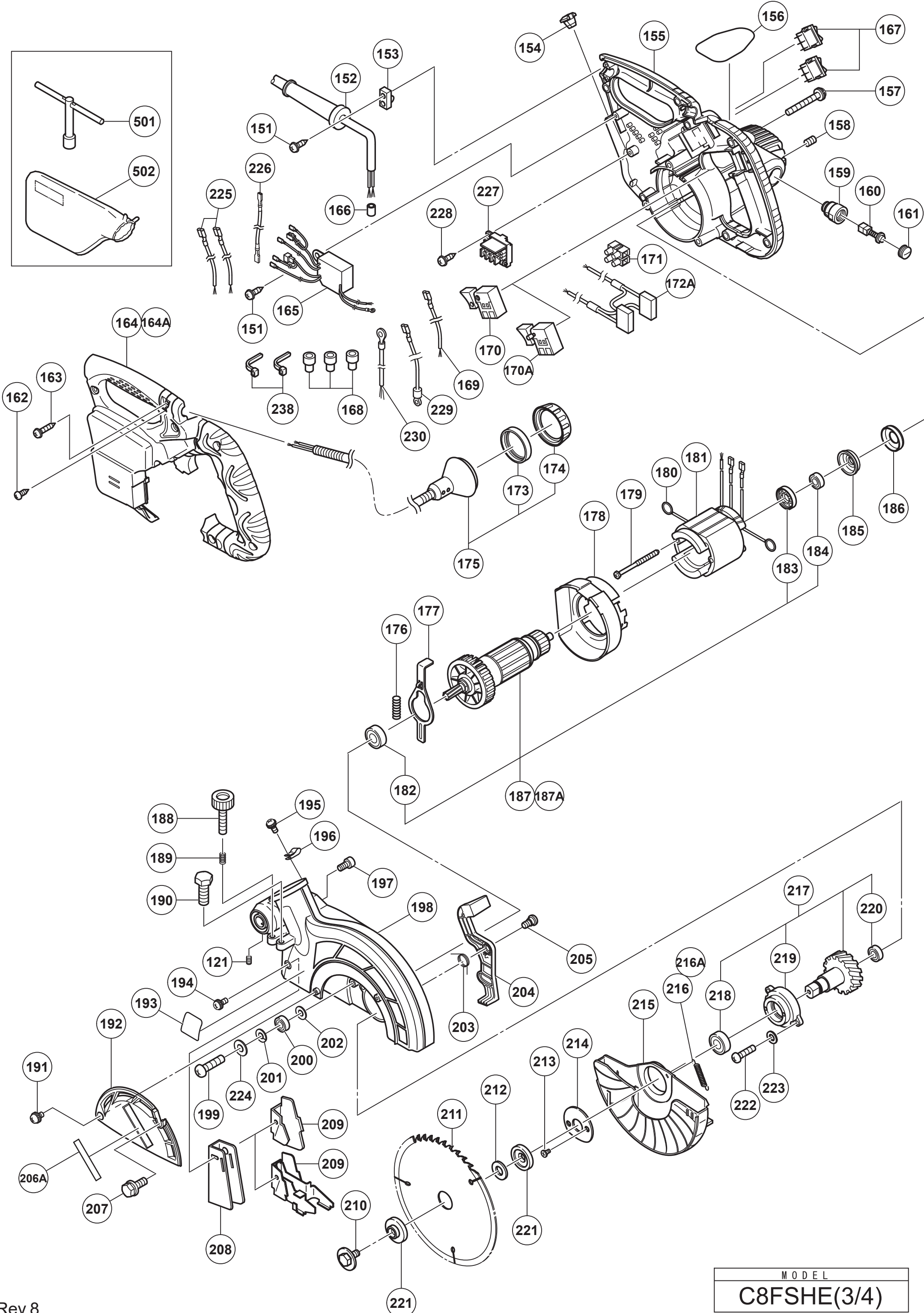
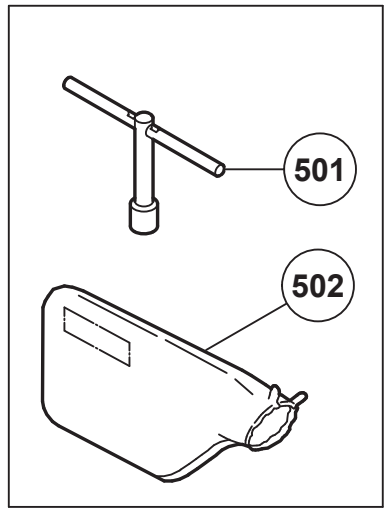
SLIDE COMPOUND SAW

| Item No. | Code No. | Description | No. Used | Remarks |
|----------|----------|---|----------|------------------------|
| 609 | | CROWN MOLDING STOPPER (L) | 1 | |
| 610 | 301806 | WING BOLT M6X15 | 1 | |
| 611 | 322957 | WISE (B) ASS'Y | 1 | INCLUD.612-618 |
| 612 | 998836 | KNOB BOLT M6X11 | 1 | |
| 613 | | SCREW HOLDER (B) | 1 | |
| 614 | 306985 | WASHER (H) | 1 | |
| 615 | 964851 | BASE RUBBER | 1 | |
| 616 | 304043 | MACHINE SCREW (W/WASHERS) M4X10 (BLACK) | 1 | |
| 617 | 318967 | WISE SHAFT | 1 | |
| 618 | 321551 | KNOB BOLT M10X54 | 1 | |
| 619 | 329782 | CROWN MOLDING VISE ASS'Y | 1 | INCLUD.606,611 |
| 620 | 974561 | STOPPER | 1 | |
| 621 | 949404 | WING BOLT M6X20 (10 PCS.) | 1 | |
| 622 | 321390 | CROWN MOLDING STOPPER HOLDER | 1 | |
| 623 | | CROWN MOLDING STOPPER (R) | 1 | |
| 624 | 301806 | WING BOLT M6X15 | 1 | |
| 625 | 321373 | CROWN MOLDING STOPPER (R) ASS'Y | 1 | |
| 626 | | HOLDER ASS'Y | 1 | |
| | | | | INCLUD.627-632 |
| 627 | 321549 | HOLDER | 2 | |
| 628 | 949313 | WING NUT M6 (10 PCS.) | 2 | |
| 629 | 949556 | NUT M6 (10 PCS.) | 2 | |
| 630 | 967329 | WASHER (H) | 4 | |
| 631A | 322047 | WISE PLATE | 2 | |
| 632 | 996283 | HIGH TENSION BOLT M6X65 | 2 | |
| 633 | 321553 | GUIDE ASS'Y | 1 | INCLUD.607,620,621,626 |
| 634 | 998840 | TCT SAW BLADE 216MM-D15.88 HOLE-NT24 | 1 | |
| 635 | 998858 | TCT SAW BLADE 216MM-D25.4 HOLE-NT24 | 1 | |
| 636 | 998859 | TCT SAW BLADE 216MM-D30 HOLE-NT24 | 1 | |
| 637 | 339237 | DUST COLLECTION ADAPTER (H) | 1 | FOR HOL |
| | | | | |

* ALTERNATIVE PARTS







MODEL
C8FSHE(3/4)

