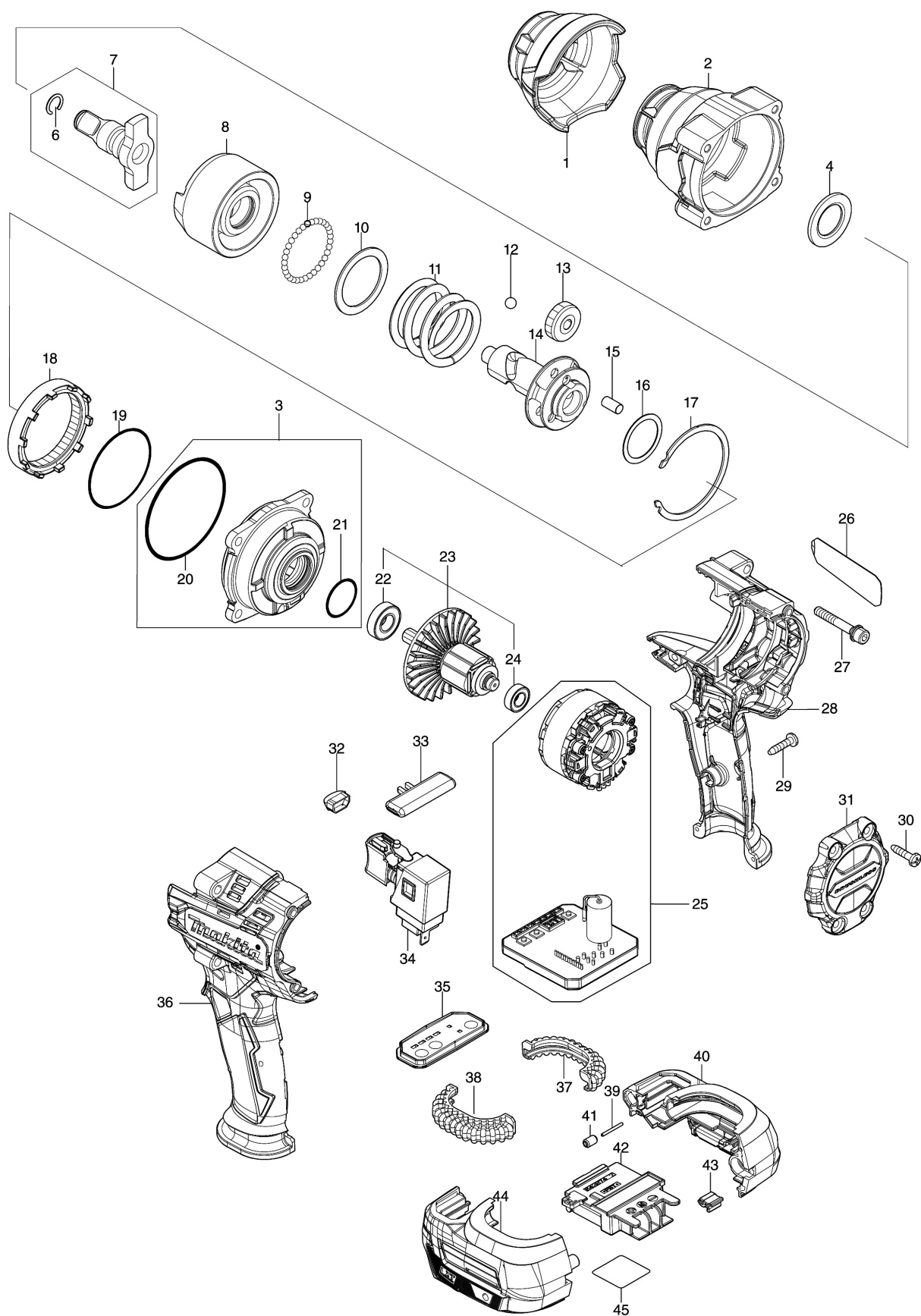


Model No.DTW700 CORDLESS IMPACT WRENCH



Model No.DTW700 CORDLESS IMPACT WRENCH

Position	Référence pièce	Description	Echange	QTE	New/Old	Option 1	Option 2	COMMENTAIRE
001	422607-6	BUMPER		1				
002	140U47-9	HAMMER CASE COMPLETE		1				
003	136296-8	INTERNAL GEAR CASE ASS'Y		1				
D10		INC. 20,21						
004	253481-9	FLAT WASHER 20		1				
006	231907-1	JONC DE RETENUE		1		65	P2	
007	136256-0	ANVIL ASS'Y		1				
D10		INC. 6						
008	327624-0	HAMMER		1				
009	216001-0	BILLE ACIER 3.5		33		0	P1	
010	267340-1	RONDELLE PLATE 32		1		65	P2	
011	232629-6	COMPRESSION SPRING 34		1				
012	216007-8	BILLE ACIER 6.4		2		0	P1	
013	227813-6	SPUR GEAR 21		3				
014	327623-2	SPINDLE		1				
015	256211-7	AXE 6		3		0	P1	
016	267494-4	RONDELLE PLATE 25		1			P99	
017	347722-4	RETAINER		1				
018	227814-4	INTERNAL SPUR GEAR 48		1				
019	213624-5	JOINT O'RING 48		1		0	P1	
020	213654-6	O'RING 60		1		1	P6	
021	213961-7	O RING 22		1		0	P1	
022	210069-8	ROULEMENT A BILLES 6900DDW		1		2	P9	
023	519635-1	ROTOR ASS'Y		1				
D10		INC. 22,24						
024	211343-7	BALL BEARING 688ZZ		1				
025	629A06-1	STATOR COMPLETE		1				
026	857M03-1	DTW700 NAME PLATE		1				
027	251476-6	VIS HEX CREUSE 5X35 AVEC WR		4			P1	
028	183P88-2	HOUSING SET		1				
D10		INC. 36						
029	266326-2	VIS 4x18		7		65	P2	
030	266326-2	VIS 4x18		4		65	P2	
031	412673-1	REAR COVER		1				
032	620549-0	CIRCUIT LED		1			P6	
033	456268-0	LEVIER INVERSEUR		1			P1	
034	140U03-9	SWITCH COMPLETE		1				
C10	424774-3	SWITCH COVER		1				
035	140U53-4	SWITCH PLATE COMPLETE		1				
C10	8012S9-8	SWITCH LABEL		1				
036	183P88-2	HOUSING SET		1				
D10		INC. 28						
037	424773-5	CAOUTCHOUC		1			P1	

Please order the parts with part number.

Print Date 23/7/2020

Model No.DTW700 CORDLESS IMPACT WRENCH

Position	Référence pièce	Description	Echange	QTE	New/Old	Option 1	Option 2	COMMENTAIRE
038	424773-5	CAOUTCHOUC		1			P1	
039	268284-8	TIGE 1.5		1		0	P1	
040	183P89-0	BATTERY HOUSING SET		1				
C10	263005-3	CHEVILLE CAOUTCHOUC 6		2		65	P2	
C20	252126-6	ECROU NYLSTOP HEX M4-7		2		65	P2	
D10		INC. 44						
041	263036-2	CHEVILLE CAOUTCHOUC 5		1		0	P1	
042	643874-2	TERMINAL		1			P5	
043	424517-3	COUSSIN		1		0	P1	
044	183P89-0	BATTERY HOUSING SET		1				
C10	263005-3	CHEVILLE CAOUTCHOUC 6		2		65	P2	
C20	252126-6	ECROU NYLSTOP HEX M4-7		2		65	P2	
D10		INC. 40						
045	857M11-2	DTW700 SERIAL NO. LABEL		1				
A01	251314-2	VIS M4X12		1		0	P1	
A02	347723-2	HOOK		1				
A03B	***DC18RC	DC18RC FAST CHARGER		1			A42	
D10		COMPO-PARTS						
A04B	450128-8	BATTERY COVER		1		0	P1	
A05B	197280-8	BATTERIE BL1850B 18V 5A		2			A45	
A06	821551-8	COFFRET MAKPAC3		1		4	A30	
C10	453974-8	LOQUET		4		0	P1	
A07	837645-9	MOULAGE MAKPAC BTW450		1		2	A14	
A08A	8019U1-0	DTW700ZJ PLASTIC CASE LABEL		2				
A08B	8019U3-6	DTW700RTJ PLASTIC CASE LABEL		2				
A09A	8019U0-2	DTW700ZJ INDICATION LABEL		1				
A09B	8019U2-8	DTW700RTJ INDICATION LABEL		1				

Please order the parts with part number.

Print Date 23/7/2020